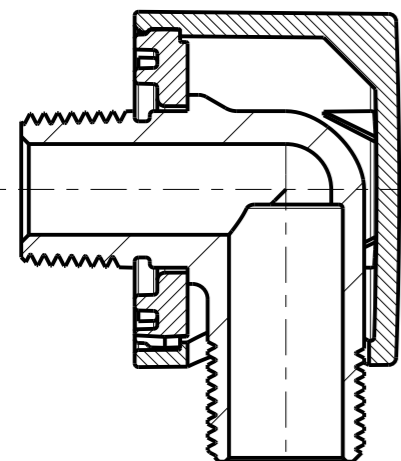


3	Body WE Techno	1	ABS	01 0746	J29860105
2	Curve WE - NPT	1	BRASS	03 1021	J99940074
1	Wall Gasket WE	1	PP + EPDM	02 0181	J99980130
Pos.	DENOMINAZIONE / DESCRIPTION	Q.ty	MATERIALE / MATERIAL	DISEGNO / DRAWING	CODICE / CODE

Note: Please apply thread seal tape (also known as plumber's tape) to all threads



in2aqua

in2aqua GmbH

Königstrasse 26 • 70173 Stuttgart, Germany
 Phone: +49 (0)7127 9296 141 • 1 800 257 6051
www.in2aqua.de • www.in2aqua.com • info@in2aqua.com