

TULIP SCONCE
8153
TULIP CHANDELIER
8154

Project Name _____
 Fixture Type _____
 Quantity _____



8153-SB-CL



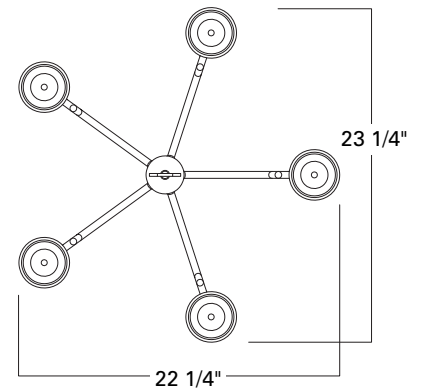
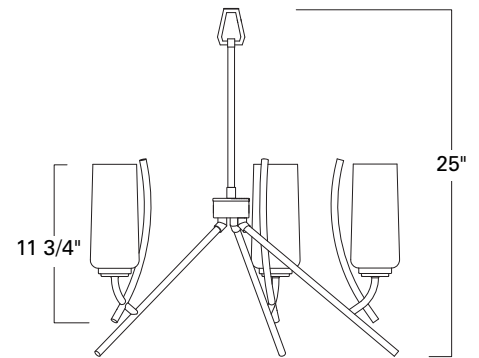
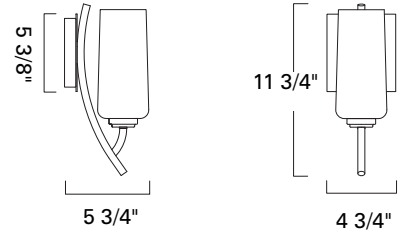
8154-SB-CL



8153-ADB-CL



8154-ADB-CL



Product Name / Model / Dimensions					Finish Options	Diffuser	Lamping Options
Tulip Sconce 8153, Tulip Chandelier 8154					Standard Acid Dipped Black / ADB Satin Brass / SB	Standard Clear Glass / CL 3 1/2" W x 7 5/8" H	Standard 8153 - 1-60 Watt Candelabra 8154 - 5-60 Watt Candelabra
	Height	Width	Projection	Overall Height			
8153	11 3/4"	4 3/4"	5 3/4"	--			
8154	Body Height 25"	23 1/4"	--	Ships with 6' chain and cord			
8153 - Backplate 5 3/8" H x 4 3/4" W							
8154 - Canopy 4 3/4"							

Damp Location and Rated UL/ETL Listed

REV-4-2020

DISCLAIMER:

Norwell Lighting and its companies, ILEX Architectural Lighting and Custom Metalcraft reserve the right to change specifications related to its product at anytime. USA Made indicates product is manufactured in East Taunton, Massachusetts facility. Phone: 508-823-1751