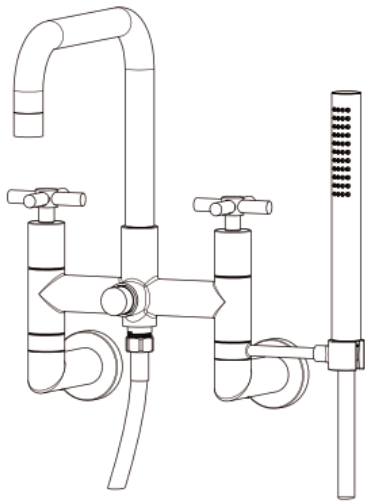
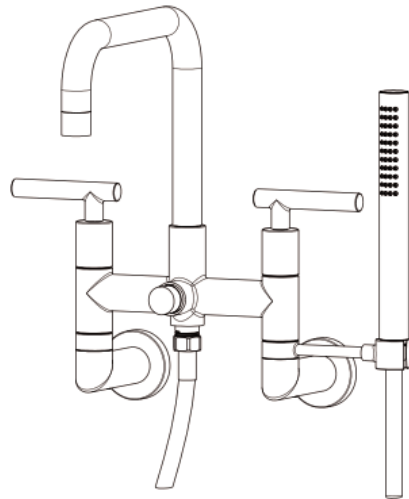


# WALL MOUNT TUB FILLER INSTALLATION INSTRUCTIONS

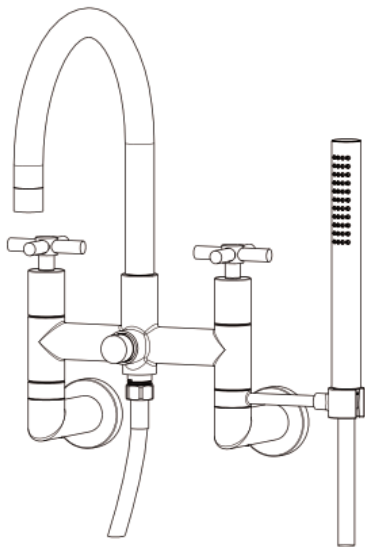
MODEL : 1400-4282, 1400-4283  
1500-4282, 1500-4283



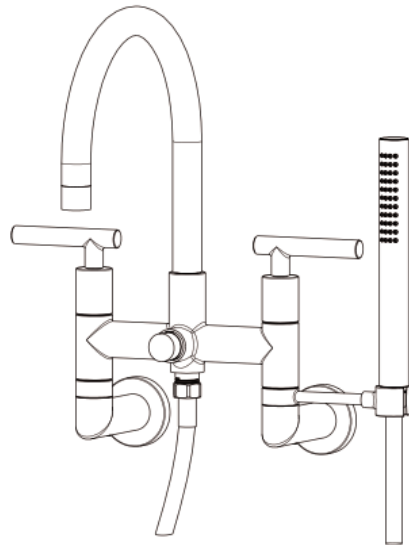
**1400-4282**



**1400-4283**



**1500-4282**



**1500-4283**

# NEWPORT BRASS

Flawless Beauty. From Faucet to Finish.™

2001 CARNEGIE AVE, SANTA ANA CA 92705

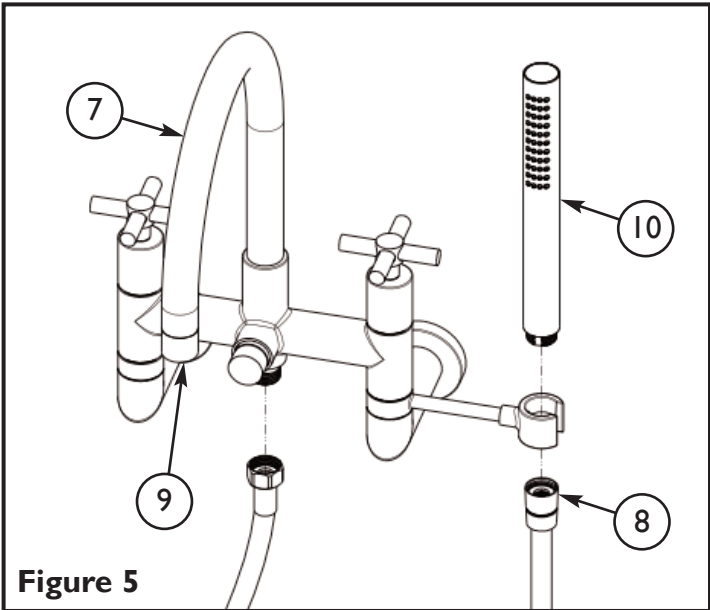
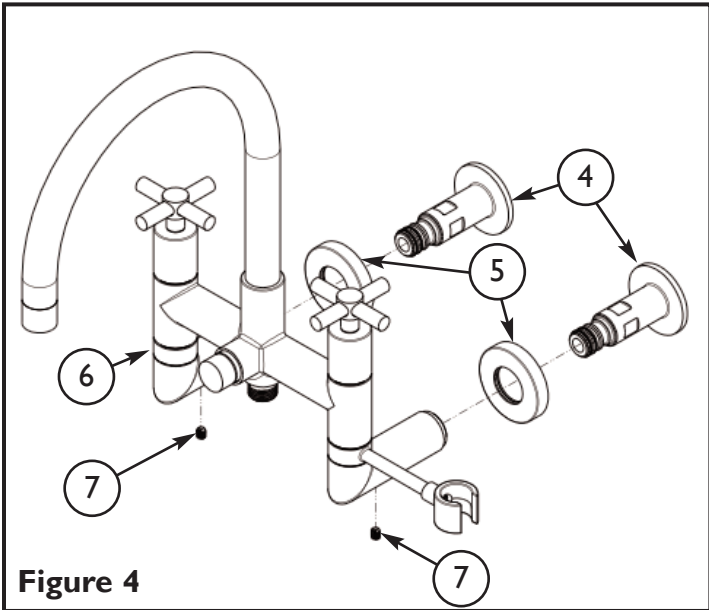
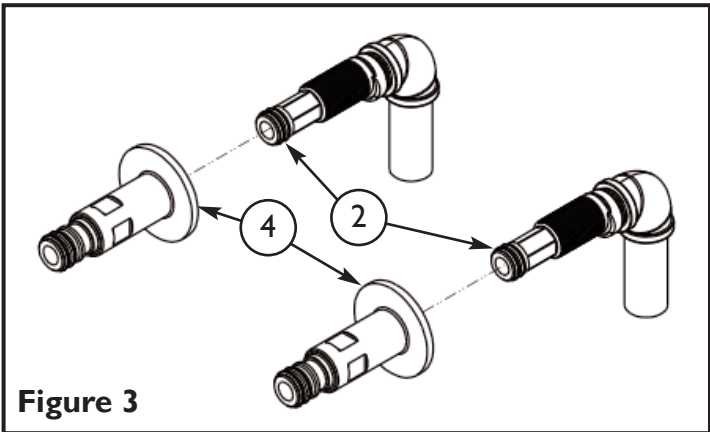
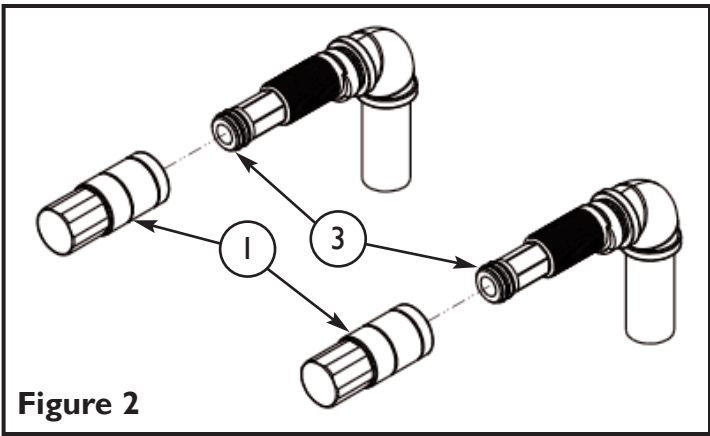
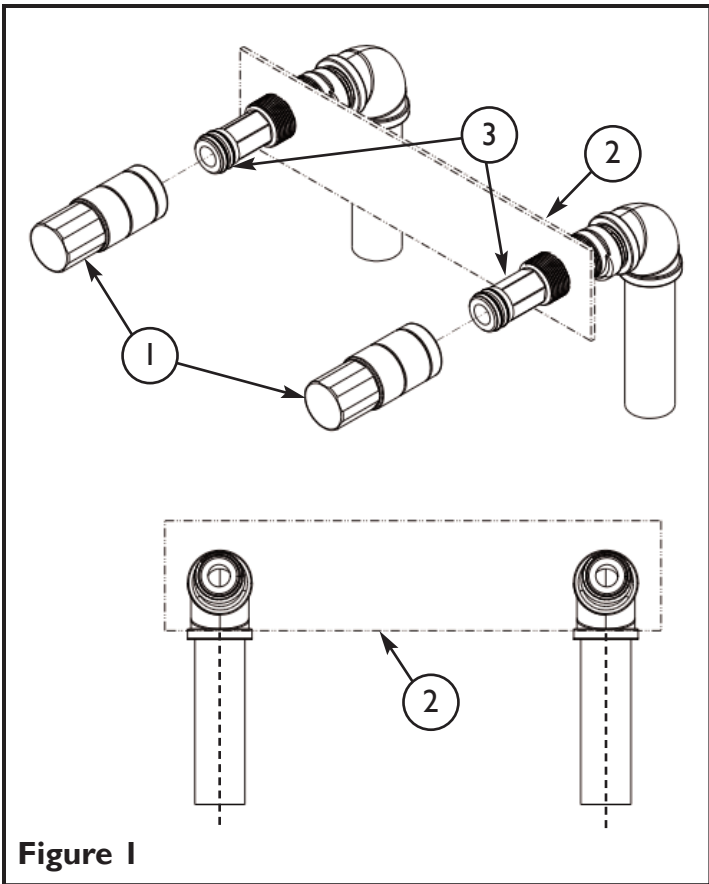
(949) 417-5207

## **We recommended installation of this product by a Professional Plumbing Contractor**

**Note:** The use of petroleum base plumbers putty on our products will nullify the warranty. We recommend the use of clear silicone sealing materials. Recommended hole 2@  $\varnothing$ 1-3/8" and 7" apart - center to center.

(Note: First two steps below are only necessary if the trim is not installed immediately after the rough.)

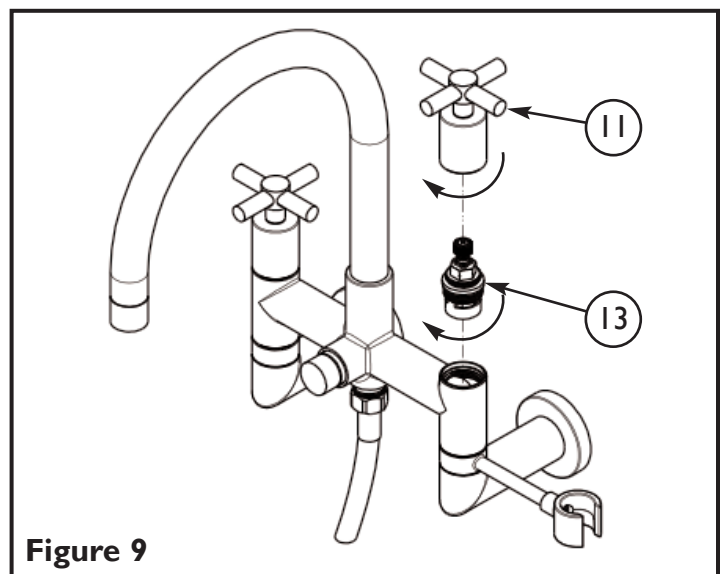
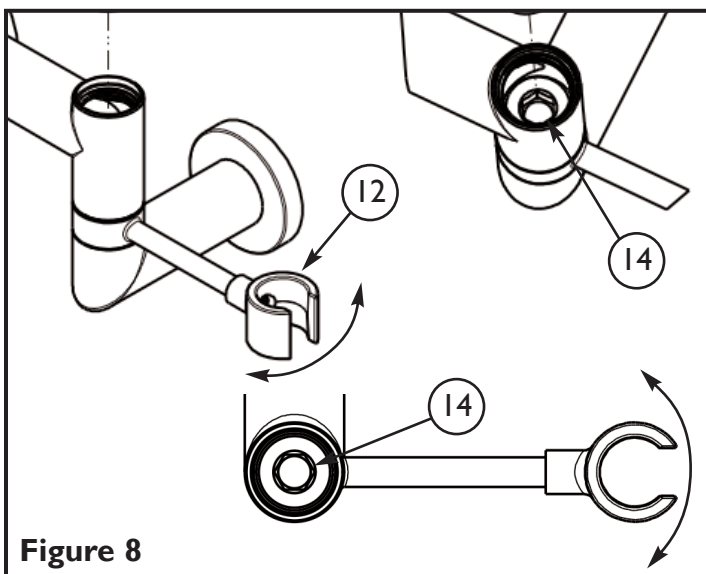
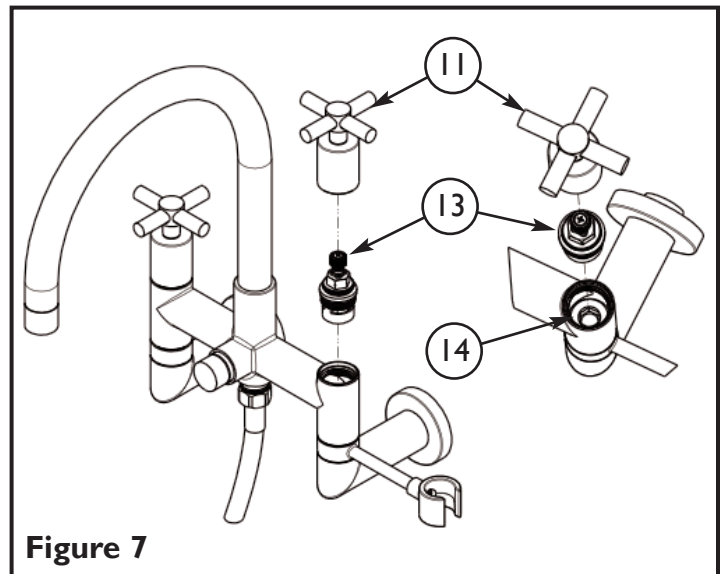
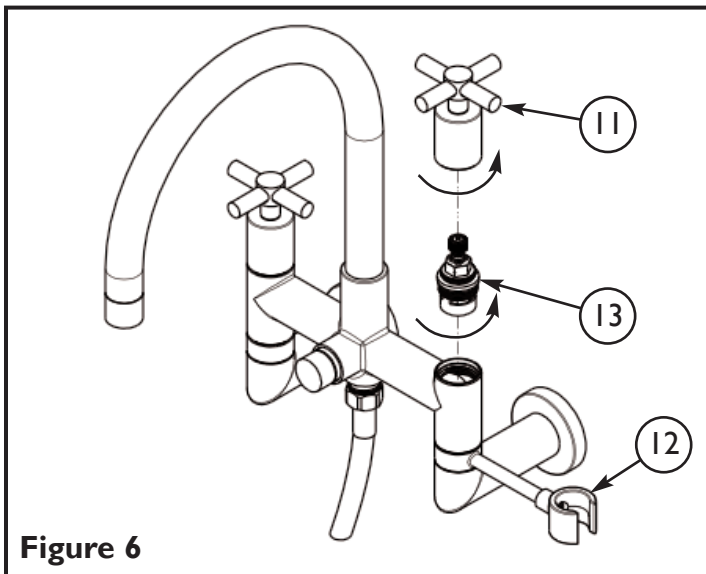
1. Remove TEST PLUGS (1) and use TEMPLATE (2) to verify the spacing, also verify that the eccentric NIPPLES (3) are mirrored and leveled. See **Figure 1**.
2. Place TEST PLUGS (1) back on and check for leaks. See **Figure 2**.
3. Remove the TEST PLUGS (1) and flush the NIPPLES (3).
4. Tighten the wall mounting ADAPTERS (4) onto the eccentric NIPPLES (2). See **Figure 3**.
5. Slide the TRIM (6) onto the wall mounting ADAPTERS (4) sandwiching the ESCUTCHEONS (5) between the TRIM (6) and the wall. See **Figure 4**.
6. Insert and tighten the 1/4-20 set SCREWS (7) underneath the two elbows while pushing the trim against the wall. See **Figure 4**.
7. Attach the hand shower spray HOSE (8), remove the FLOW STRAIGHTENER (9) assembly, and flush the tub filler. Divert the flow to the HOSE (8) to flush as well. See **Figure 5**.
8. Reinstall FLOW STRAIGHTENER (9) assembly and attach HANDSHOWER (10) to HOSE (8). See **Figure 5**.



## Hand shower holder adjustment about the axis of the riser.

**Note:** Following steps are to adjust the hand shower holder about the axis of the riser.

1. A 7/16 hex key is required.
2. Unscrew the HANDLE (11) assembly on the side with the HOLDER (12). See **Figure 6**.
3. Remove the CARTRIDGE (13). See **Figure 6**.
4. Using the 7/16 hex key loosen the visible NUT (14) just enough to move the HOLDER (12). Do not fully back out the nut. See **Figure 7**.
5. Adjust the HOLDER (12) to the desired location and tighten the NUT (14) to lock it in place. See **Figure 8**.
6. Install the CARTRIDGE (13) and torque to 15-20 ft-lbs. See **Figure 9**.
7. Install the HANDLE (11) assembly. See **Figure 9**.



## Hand shower holder adjustment about the axis of the holder arm.

**Note:** Following steps are to adjust the hand shower holder about the axis of the holder arm.

1. 5/32 hex key needed; T handle recommended.
2. Slowly loosen the SCREW (15) visible inside the HOLDER (12) until it is possible to move the HOLDER (12). See **Figure 10**. Notches should be felt as the HOLDER (12) is rotated. See **Figure 11**. If HOLDER (12) moves but notches aren't felt, the screw was loosen too much.
3. Once HOLDER (12) is at desired location, tighten the 5/32 hex SCREW (15). See **Figure 11**.

