
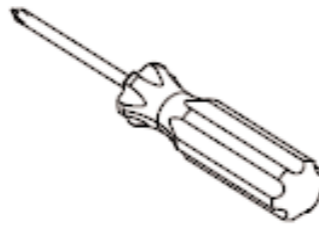

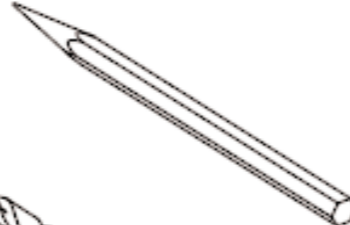

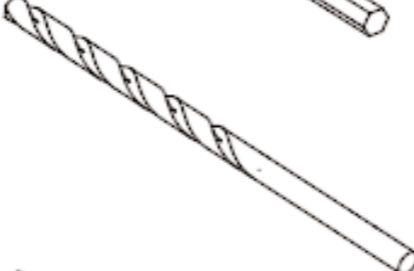

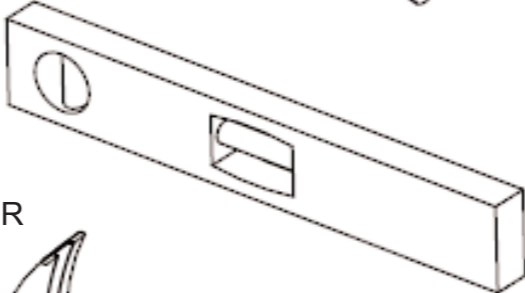

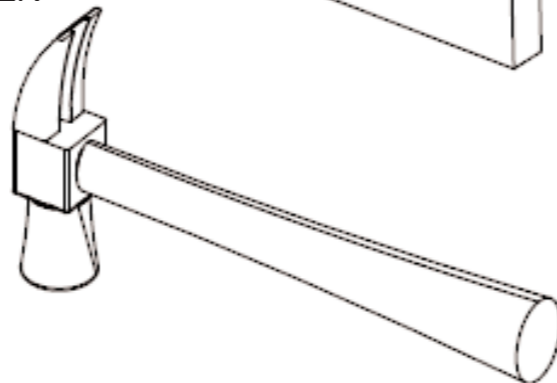

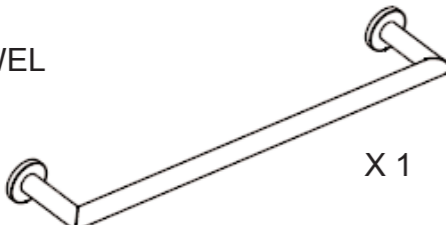


ITEMS INCLUDED		TOOLS REQUIRED	
DRY WALL ANCHOR	 X 4	PHILLIPS SCREW DRIVER	
TILE ANCHOR	 X 4	PEN / PENCIL	
#8 SCREW	 X 4	1/4" (6 mm) DRILL	
MOUNTING BRACKET	 X 2	LEVEL SET	
M6X1 SET SCREW	 X 2	HAMMER	
3MM HEX KEY	 X 1		
TOWEL BAR	 X 1		

## INSTALLATION INSTRUCTIONS

### TOWEL BAR



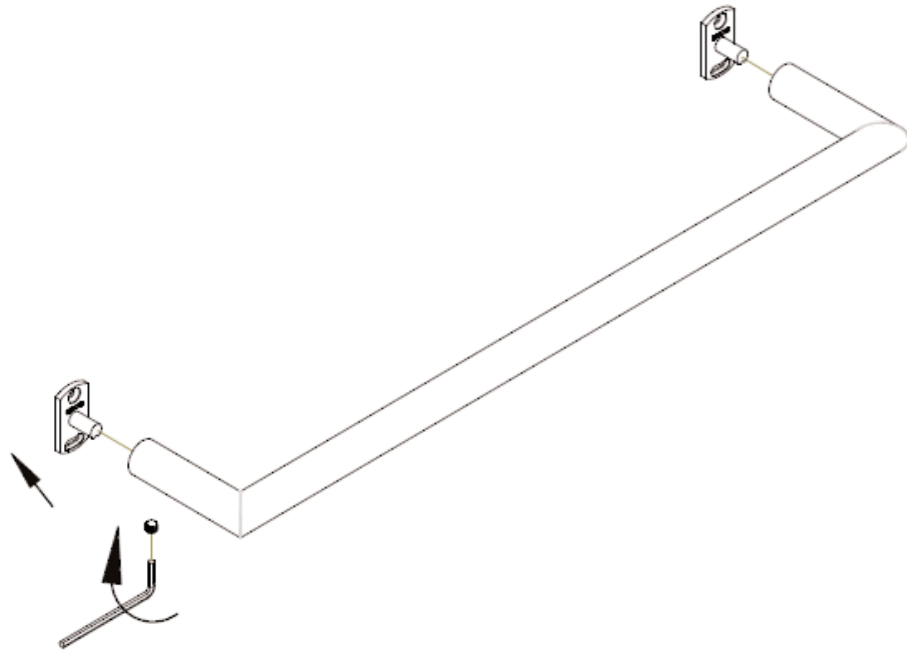
2001 CARNEGIE AVE, SANTA ANA CA 92705

(949) 417-5207

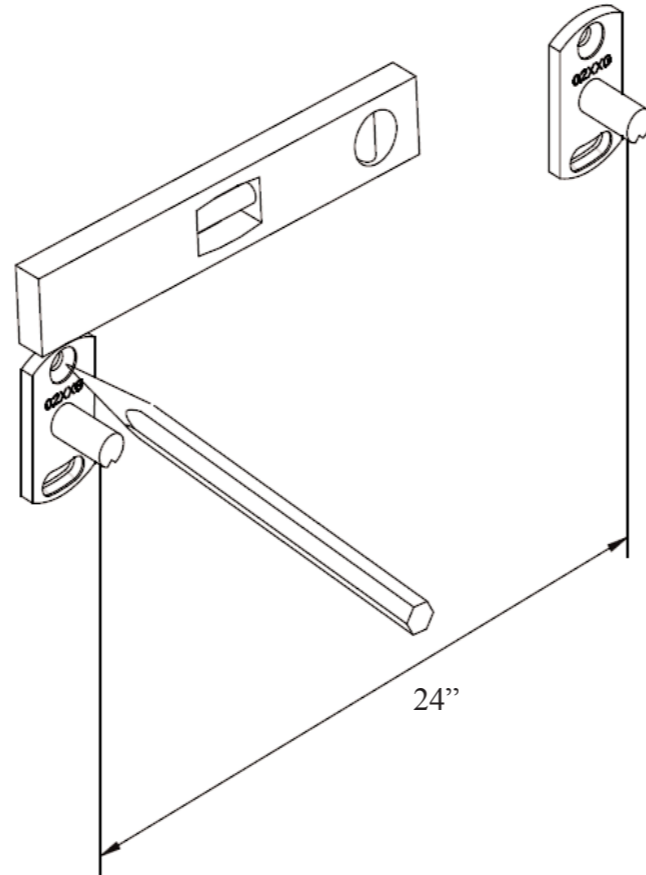
WWW.GINGERCO.COM

WWW.NEWPORTBRASS.COM

① REMOVE MOUNTING BRACKETS



② ALIGN MOUNTING BRACKETS AND MARK LOCATION



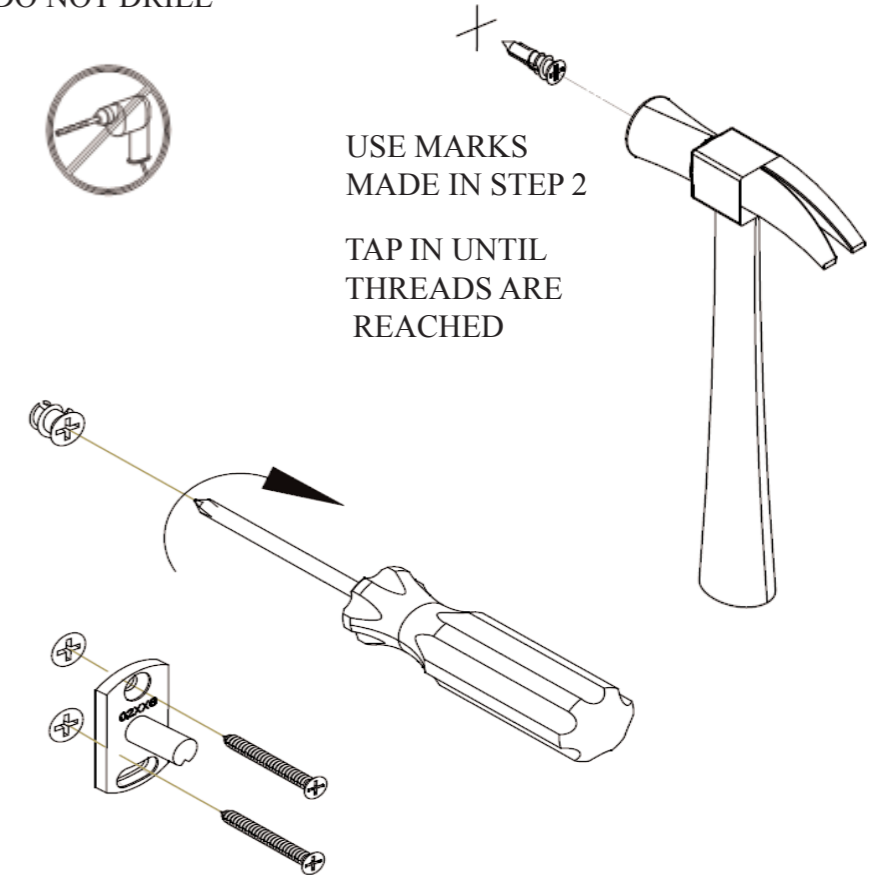
③ DRY WALL INSTALLATION

DO NOT DRILL



USE MARKS  
MADE IN STEP 2

TAP IN UNTIL  
THREADS ARE  
REACHED

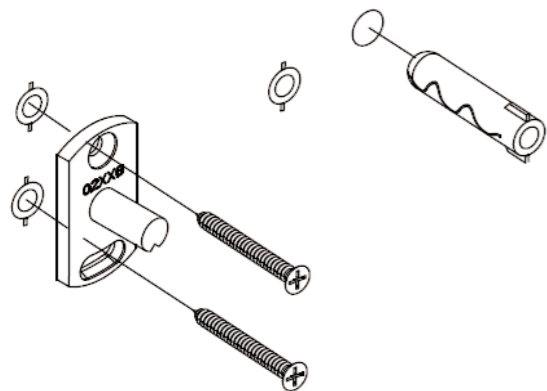
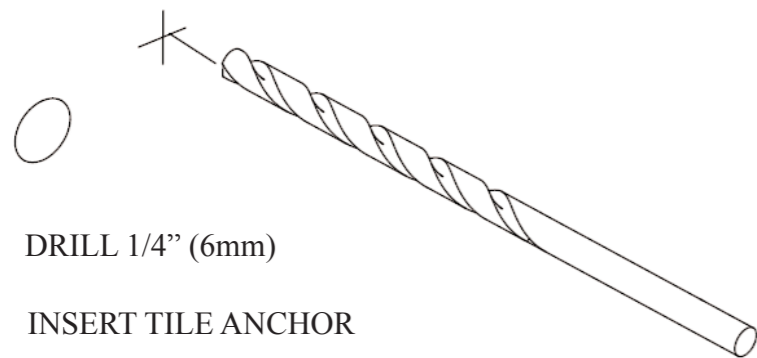


④ TILE OR SOLID WALL INSTALLATION

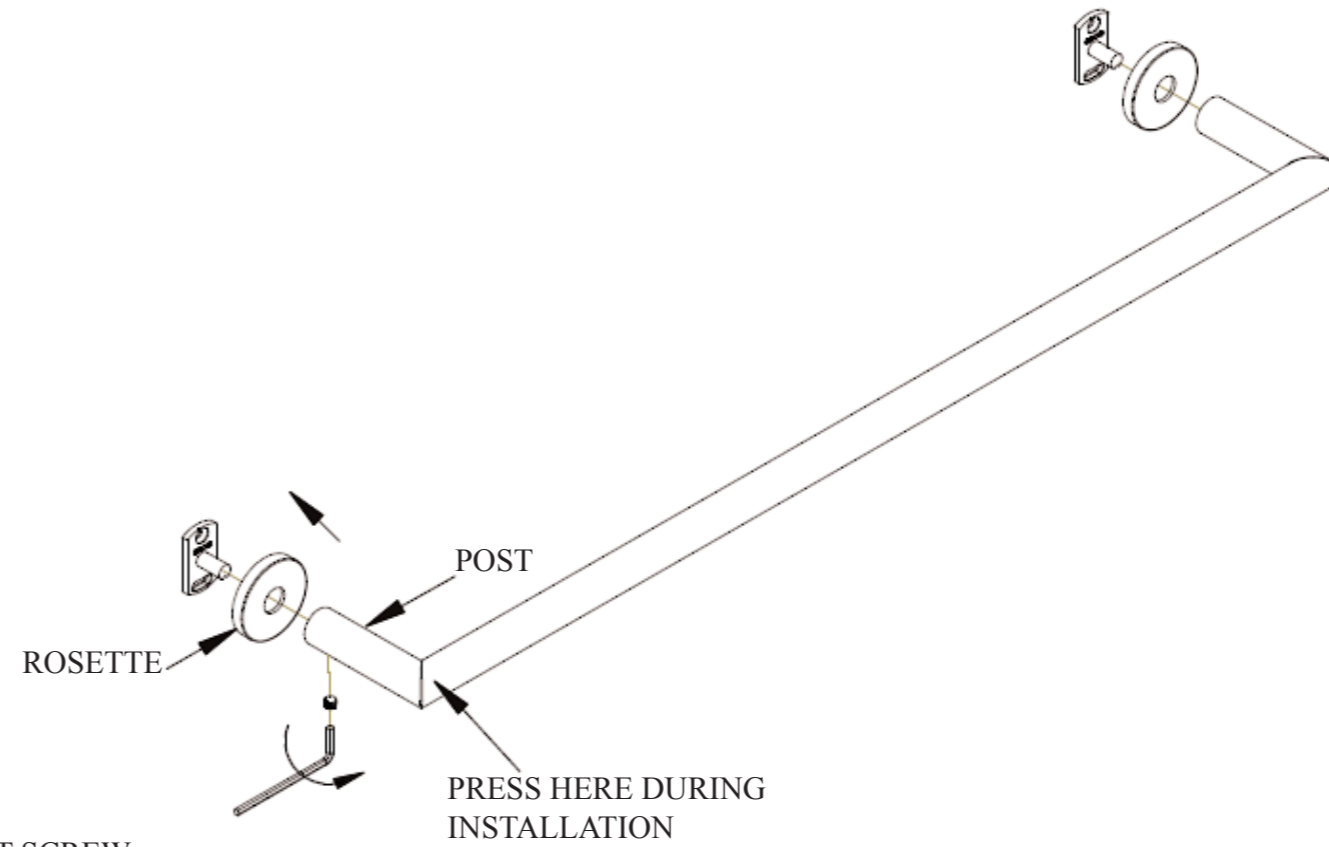
USE MARKS MADE IN STEP 2

DRILL 1/4" (6mm)

INSERT TILE ANCHOR



⑤ INSTALL PRODUCT ONTO BRACKETS. REGISTER ROSETTE ONTO POST AND PRESS LIGHTLY DURING INSTALLATION



SECURE WITH SET SCREW