

Pro Series Collection

Rectangle Single Bowl Undermount Workstation
Small Radius Corners Stainless Steel Kitchen Sink

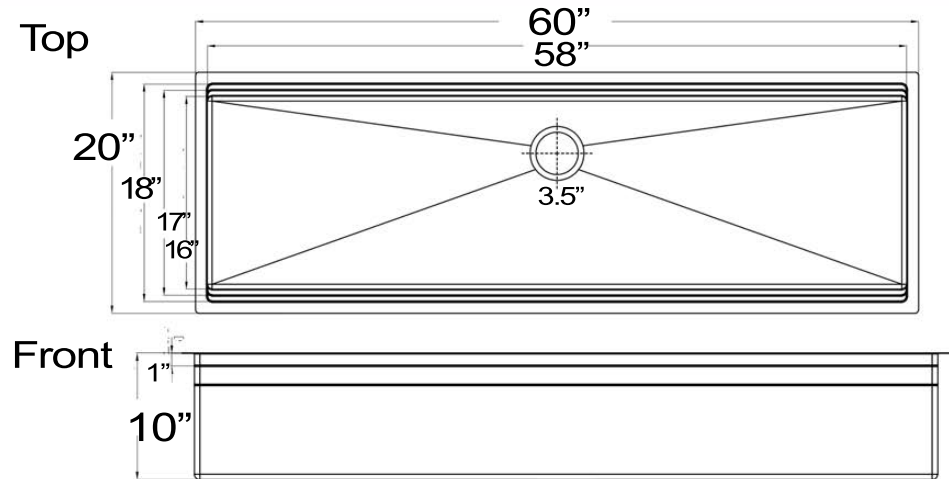
model: SR-PS-6020-16



Nantucket

S I N K S

www.NantucketSinksUSA.com
info@nantucketsinksusa.com



OVERALL DIMENSIONS	INTERIOR BOWL	BOWL DEPTH	DRAIN OPENING	CUTTING BOARD
60" x 20" x 10"	58" x 18" top 58" x 16" bottom	10"	3.5"	18" x 17" x 1" Fits either 18" or 17" ledge

FEATURES:

- Premium T-304, 16 gauge Stainless Steel
- Colander Drain & Grid included with sink
- Also includes cutting board, colander, roll-up mat*
* Fit on interior ledges
- Brushed stainless finish
- Limited Lifetime Manufacturers Warranty
- Rubber Padding is Applied for Noise Reduction

Project Name: _____

Architect / Contractor: _____

Job Notes: _____
