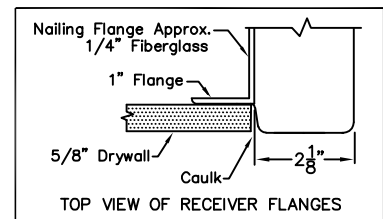
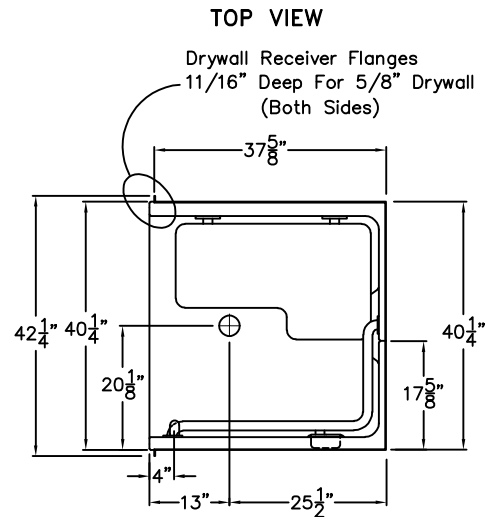
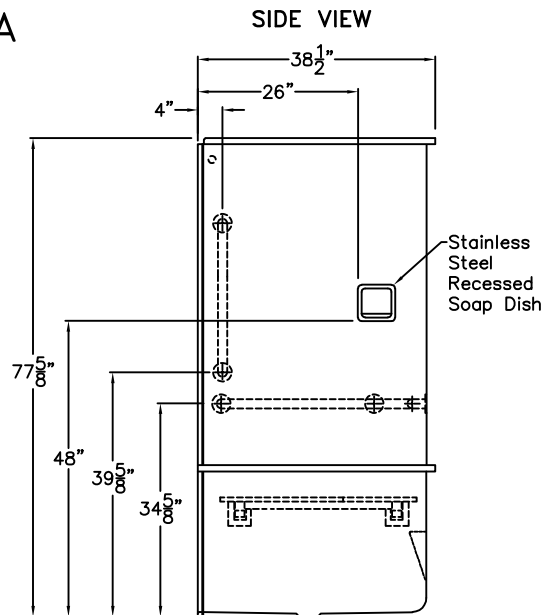
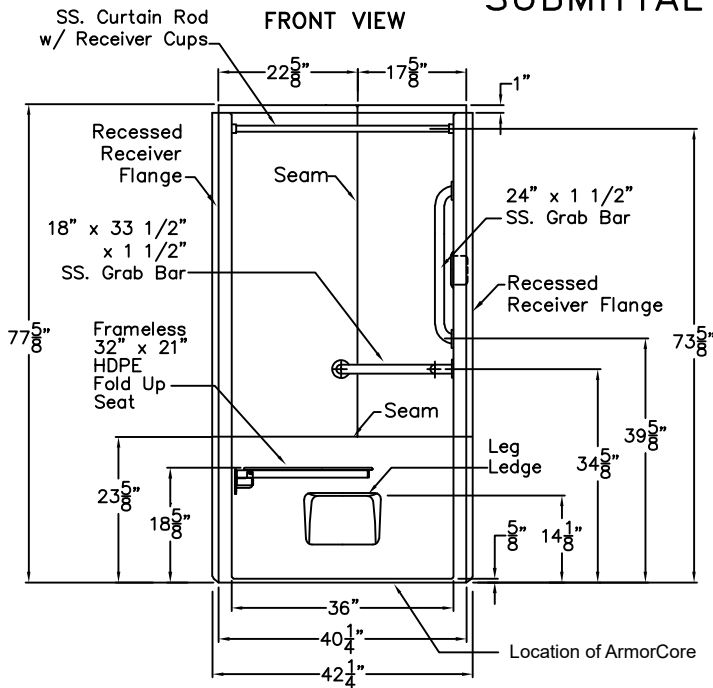


Quick Ship Inventory program
SUBMITTAL DATA



DUE TO THE NATURE OF THE MATERIALS DIMENSIONS MAY VARY ± 1/2"

Accessible Shower Stall

The shower enclosure shall be MAAX model QSI 3637 BF three piece right or left. Finished surface shall be of an applied acrylic. The base shall be attached to the sump of the unit in such a manner to form an integral part with an inner and outer coating of polyester resin. The unit shall have outside dimensions of 40 1/4" x 38 1/2" x 77 5/8". The unit meets CSA B45.5, IAPMOZ124, HUD-UM73, ANSI Z124, ADA, ANSI A117.1, and Home Innovation Research Lab.

This enclosure shall be equipped with the following installed accessories:

- 1) One 18" x 33 1/2" x 1 1/2" diameter stainless steel horizontal L-grab bar,
- 2) One 24" x 1 1/2" diameter stainless steel grab bar vertical on the valve wall, both with 1 1/2" statute clearance, mounted with stainless steel bolts, and secured from the rear with 3" x 3" x 11 gauge metal mounting plates,
- 3) 32" x 21" frameless white HDPE fold up seat.
- 4) Molded leg ledge on the back wall,
- 5) Three piece sectional design,
- 6) Molded recessed receiver flange on both sides,
- 7) One inch diameter, 18 gauge stainless steel curtain rod with receiver cups,
- 8) Stainless steel recessed soap dish in the valve wall,
- 9) Factory installed Armor Core Easy Base,
- 10) 5/8" threshold.

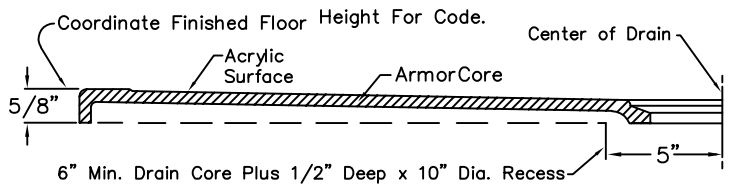
Available Options: 11) Valve package includes: Hand held shower set, swivel connector, 60" flex hose, vacuum breaker, 30" slide bar, wall water outlet fitting, 12) Green anti-bacterial shower curtain and hooks, 13) White shower curtain and hooks. 14) Nurses call box drilling.

This unit features the outside dimensions of 40 1/4" of overall width. This does not allow for full enclosure of the bolts that are used to secure the bars and seat in place.

This may require the need to notch studs to allow for bolt clearance for installation. For a dry wall enclosed fire wall installation, adjustment of the wallboard may be necessary to provide clearance of the bolts while maintaining the integrity of the drywall fire wall enclosure.

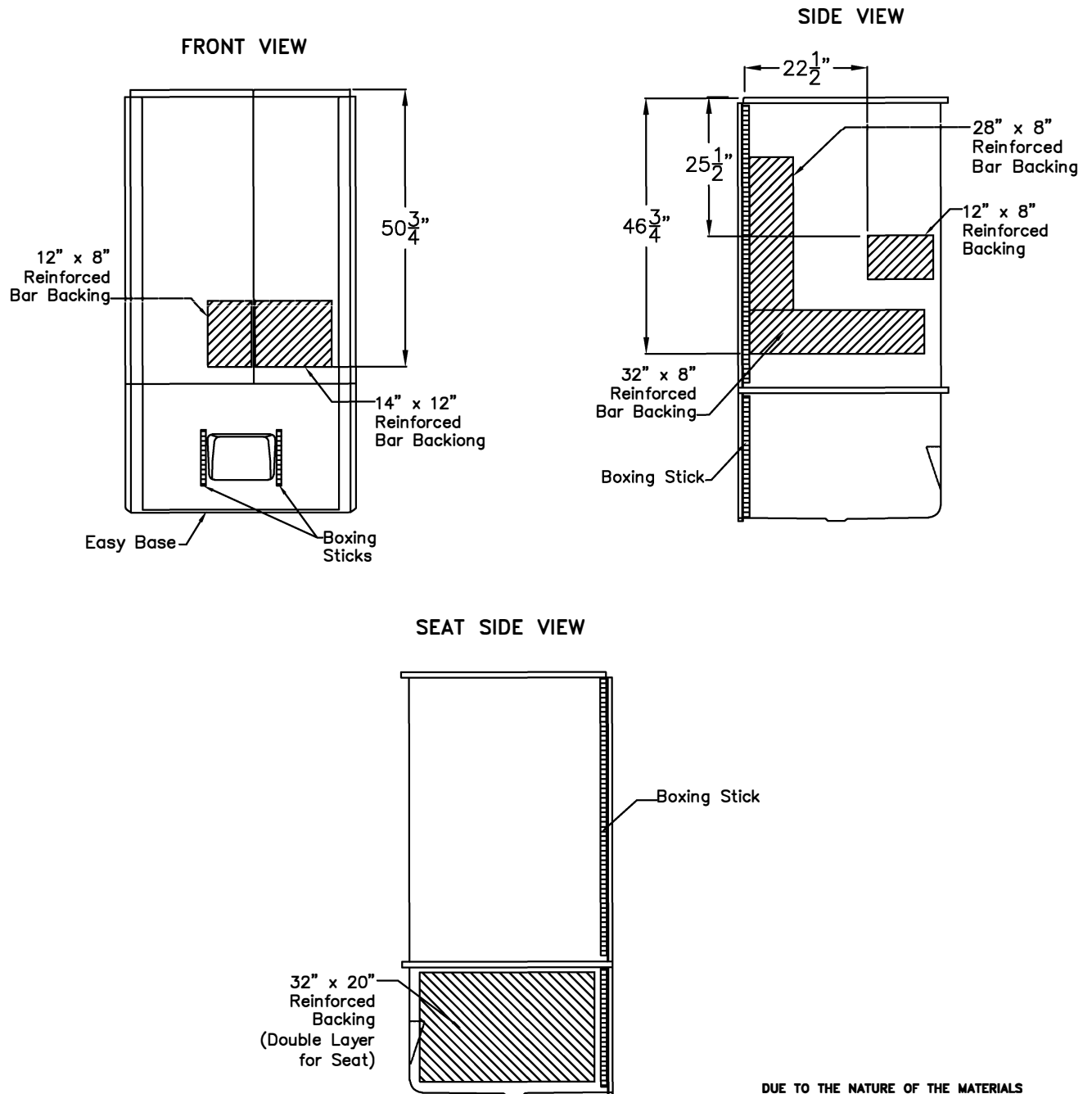
NOTE: THIS UNIT WILL NOT ACCEPT A DOOR.

Detail of 5/8" Threshold With ArmorCore



Backing Placement

SUBMITTAL DATA



DUE TO THE NATURE OF THE MATERIALS
DIMENSIONS MAY VARY $\pm 1/2$ "