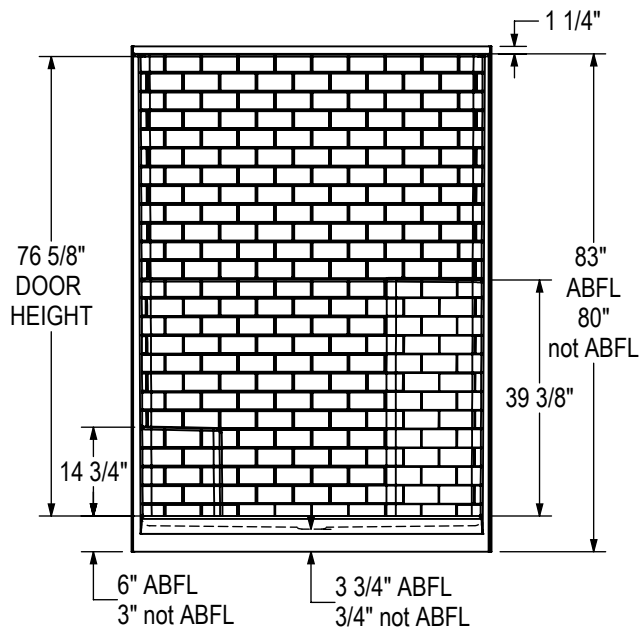
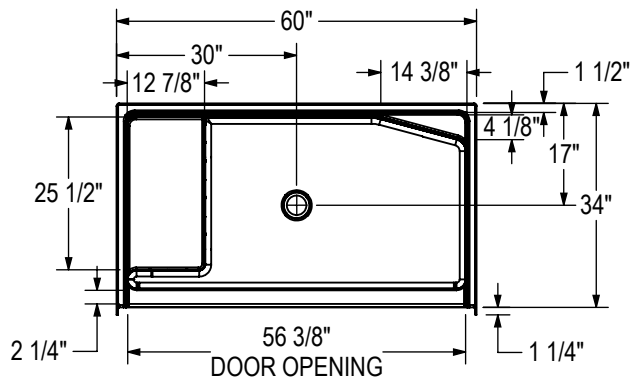
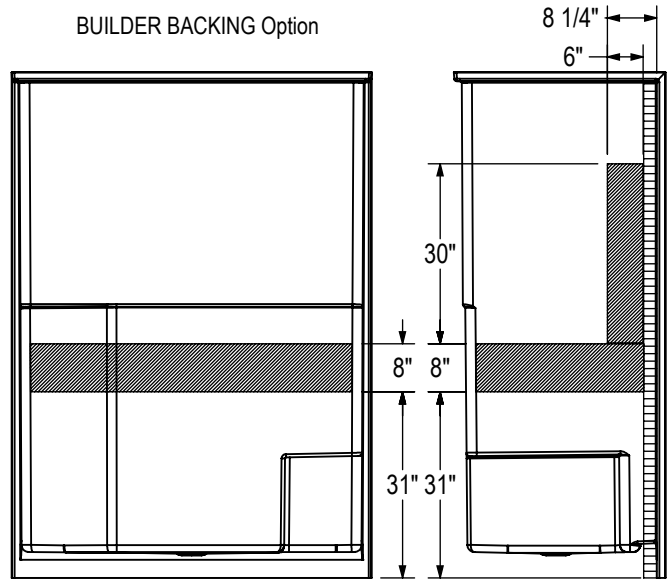


**STANDARD MODEL**  
(Left Seat Shown)

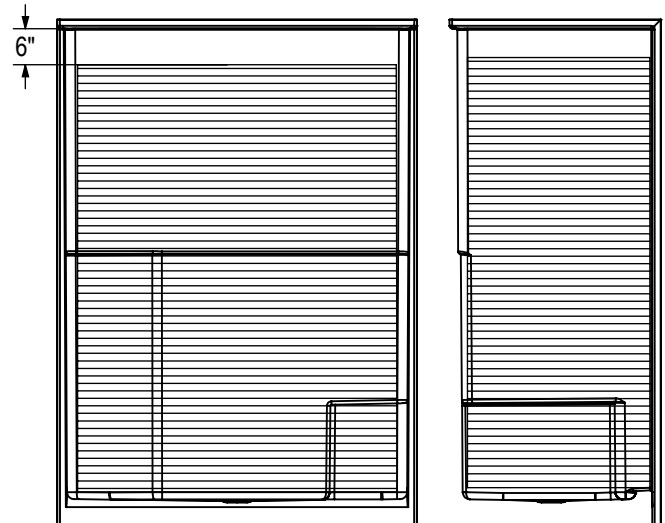


**REINFORCEMENT BACKING**

**BUILDER BACKING Option**



**FULL WALL Reinforcement Option**  
**SINGLE WALL Reinforcement Option**



**All dimensions are approximate. Structure measurements must be verified against the unit to ensure proper fit.**