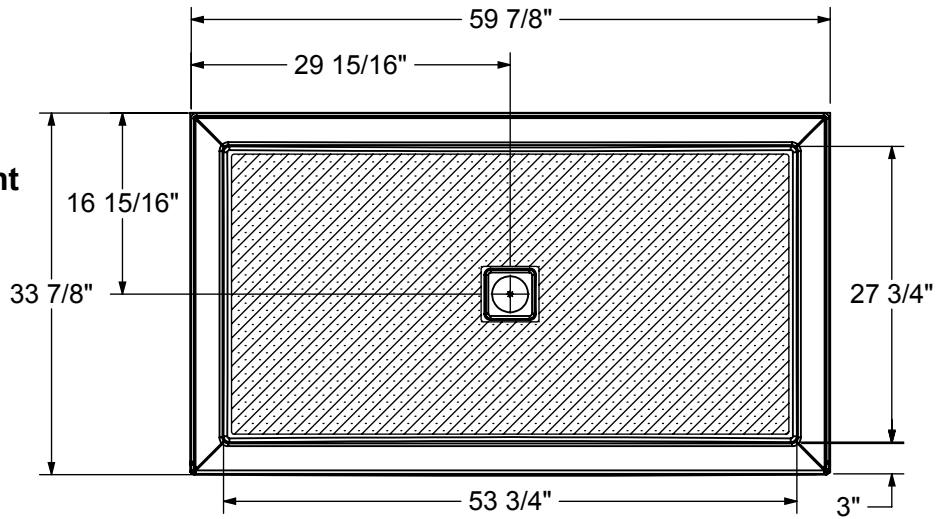
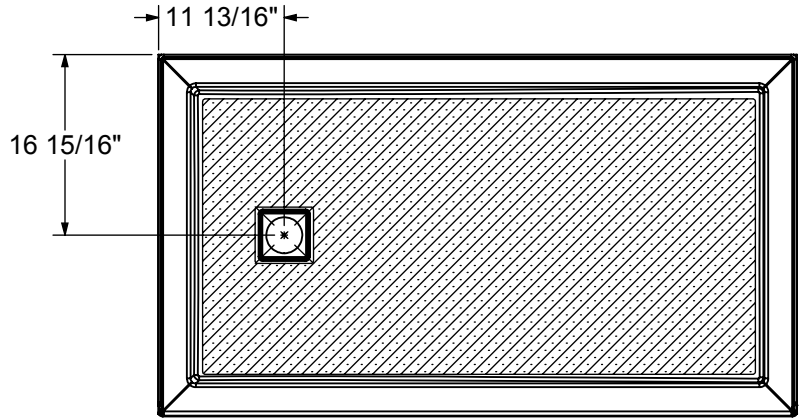
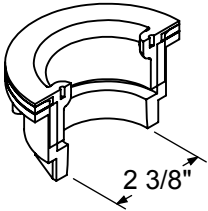
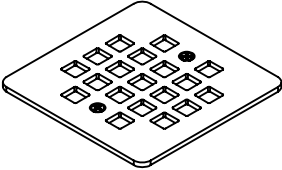


The hatched area represent the antislip surface



DRAIN INCLUDED ON B3 SQUARE ONLY



3" Threshold height

1" Tiling Flange



This technical drawing is universal for every 6034 configuration.

Integrated tiling flange : 1" height x $\frac{1}{4}$ " thick
Tiling flange position is determined by chosen configuration.

All dimensions are approximate. Structure measurements must be verified against the unit to ensure proper fit.