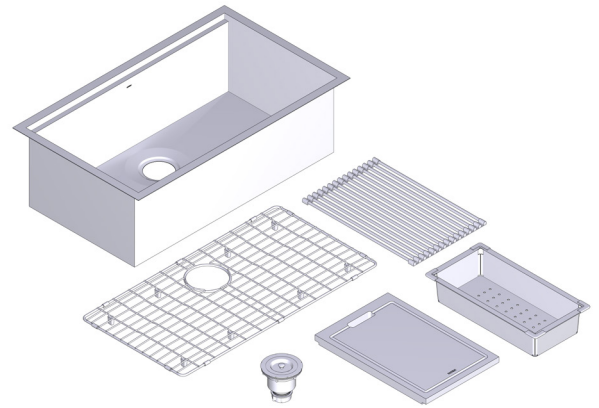


Model Number	Faucet Holes	Depth-Inches	Drain Placement
GS181020BUX	N/A	10"	Rear (Center)



SINK DESCRIPTION

- 1800 Series single bowl undermount sink
- 18 gauge stainless steel, brushed finish
- 0 mm corner radius
- Undermount hardware included
- SoundSHIELD™ sound absorbing system

WARRANTY

- Lifetime limited warranty to the original homeowner
- 1 year limited warranty on accessories
- 10 year limited warranty when used in a Multi-family installation
- 5 year limited warranty when used in a Commercial installation
- Visit www.moen.com/customer-support/warranty for complete details and limitations

SINK DIMENSIONS

- Minimum cabinet size: 36"
- Overall: 32" x 19"
- Bowl: 30" x 15-13/16"
- Drain Size: 3-1/2"

CUT OUT DIMENSIONS

- Cut out template included

STANDARDS

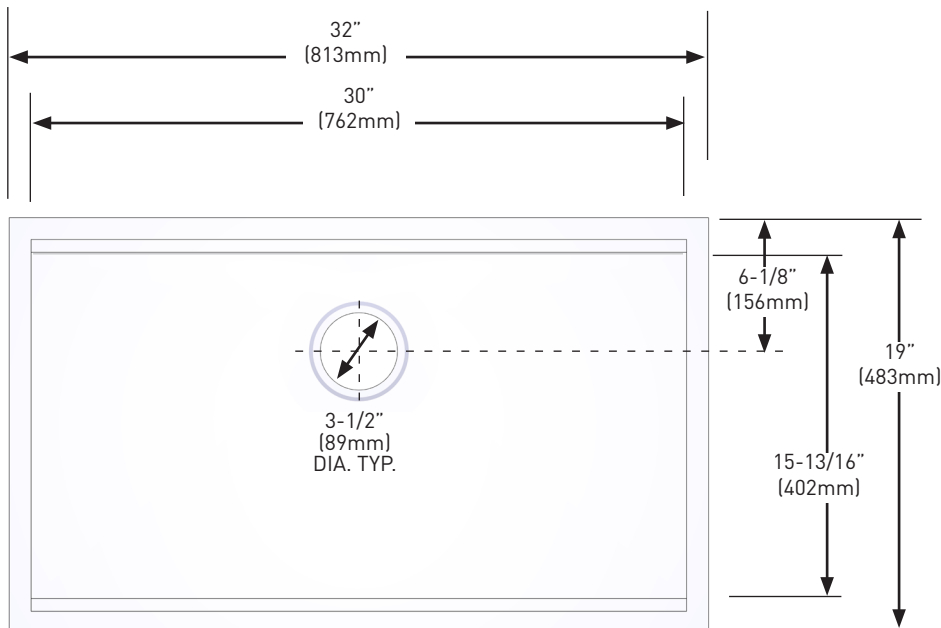
- Third party certified to meet ASME A112.19.3/CSA B45.4 and all applicable specifications referenced therein

ACCESSORIES - (Hand wash only)

- Cutting Board
- Drying Rack
- Colander
- Grid
- Strainer

CRITICAL DIMENSIONS

(DO NOT SCALE)



Installation Detail

