

# Home Care Technical Specification

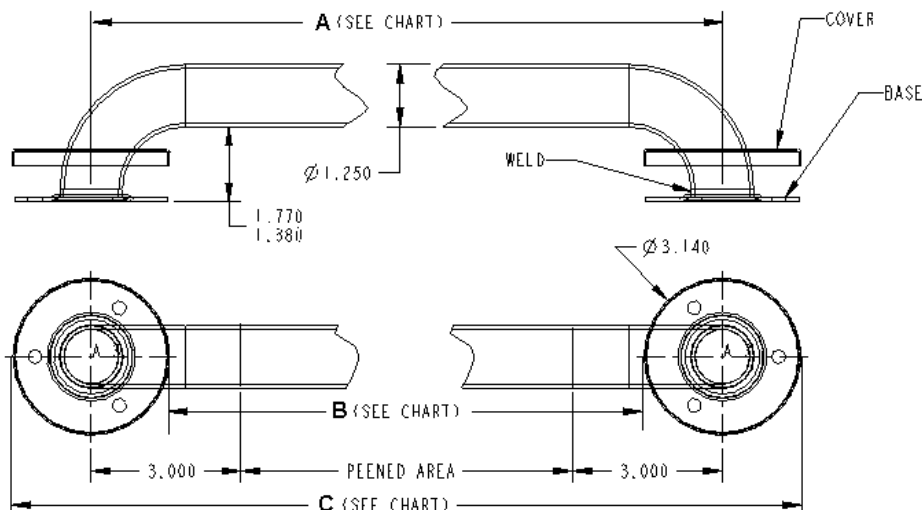
## 1 1/4" Peened Grab Bar – Concealed Screw

**R8700P**

### Stock Numbers:

- R8712P, LR8712P – 12" Grab Bar**  
Stainless Steel Peened Finish  
Concealed Screw Mounting  
1 1/4" Diameter Bar
- R8716P – 16" Grab Bar**  
Stainless Steel Peened Finish  
Concealed Screw Mounting  
1 1/4" Diameter Bar
- LR8716P - 16" Grab Bar**  
Stainless Steel Peened Finish  
Concealed Screw Mounting  
1 1/4" Diameter Bar
- R8718P, LR8718P – 18" Grab Bar**  
Stainless Steel Peened Finish  
Concealed Screw Mounting  
1 1/4" Diameter Bar
- R8724P, LR8724P – 24" Grab Bar**  
Stainless Steel Peened Finish  
Concealed Screw Mounting  
1 1/4" Diameter Bar
- R8730P – 30" Grab Bar**  
Stainless Steel Peened Finish  
Concealed Screw Mounting  
1 1/4" Diameter Bar
- R8732P – 32" Grab Bar**  
Stainless Steel Peened Finish  
Concealed Screw Mounting  
1 1/4" Diameter Bar
- R8732P - 32" Grab Bar**  
Stainless Steel Peened Finish  
Concealed Screw Mounting  
1 1/4" Diameter Bar
- R8736P – 36" Grab Bar**  
Stainless Steel Peened Finish  
Concealed Screw Mounting  
1 1/4" Diameter Bar
- R8742P – 42" Grab Bar**  
Stainless Steel Peened Finish  
Concealed Screw Mounting  
1 1/4" Diameter Bar
- R8748P – 48" Grab Bar**  
Stainless Steel Peened Finish  
Concealed Screw Mounting  
1 1/4" Diameter Bar

### Dimensions:



	A	B	C
<b>R8712P</b>	<b>12</b>	<b>8.75</b>	<b>15.25</b>
<b>R8718P</b>	<b>18</b>	<b>14.75</b>	<b>21.25</b>
<b>R8724P</b>	<b>24</b>	<b>20.75</b>	<b>27.25</b>
<b>R8730P</b>	<b>30</b>	<b>26.75</b>	<b>33.25</b>
<b>R8736P</b>	<b>36</b>	<b>32.75</b>	<b>39.25</b>
<b>R8742P</b>	<b>42</b>	<b>38.75</b>	<b>45.25</b>
<b>R8748P</b>	<b>48</b>	<b>44.75</b>	<b>51.25</b>

### Installation Instructions:

1. Position unit on wall in desired location.
2. Mark mounting holes.
3. Drill starter holes.
4. Mount unit on wall using 2 1/4" screws (provided).
5. Snap flange covers into place.

Note: SecureMount Anchors are recommended for use in non-stud (hollow-wall) applications per installation instructions. (Secure Mount Anchors are sold separately)

### Materials:

1 1/4" Peened grab bar rods are formed from type 304 stainless steel tubing with a satin finish.

12" – 42" length is 20 gauge

48" length is 18 gauge

### Compliance:

- ADA, ANSI, ASTM, CSA
- Tested to 500 lbs. pull

Stock Number: \_\_\_\_\_ Grab Bar  
By Creative Specialties

25300 AL MOEN DRIVE • NORTH OLMSTED, OH 44070  
CORPORATE HEADQUARTERS: (800) 321-8809 • FAX: (800) 848-6636  
INTERNATIONAL: (440) 962-2000 • FAX: (440) 962-2726  
CUSTOMER SERVICE (USA): 800-882-0116 • FAX: (888) 379-2720  
WWW.MOEN.COM

©Copyright Creative Specialties International

Literature #BA1676

