

# Technical Specification

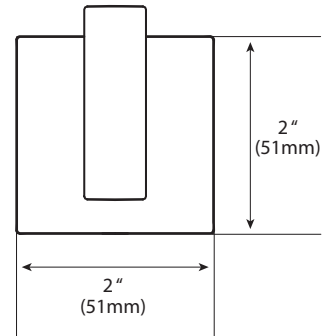
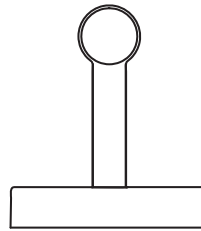
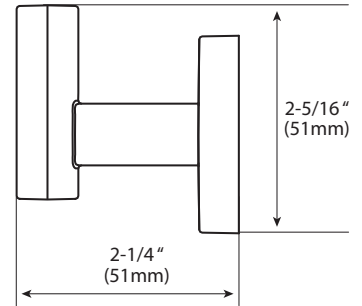
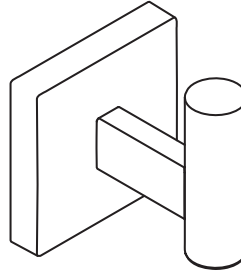
## Hand Towel Bar

# BP1803

### Stock Numbers:

- BP1803CH - Hand Towel Bar**  
Chrome Finish
- BP1803BN - Hand Towel Bar**  
Brushed Nickel Finish
- BP1803BL - Hand Towel Bar**  
Matte Black Finish

### Dimensions:



### Materials:

Hand Towel Bar is constructed of zinc.

### Installation Instructions:

- 1) Remove mounting plate from the product post by loosening the setscrew.
- 2) Position the mounting plate on the wall at desired location with "UP" facing you. Mark hole locations.
- 3) Drill two holes as marked using a 5/16" drill bit.
- 4) Fold ends of the plastic toggle anchor together and insert into each hole on the wall.
- 5) Lightly tap anchors until flush with the wall.
- 6) One at a time, insert plastic pin into each anchor and lightly tap to activate anchor. Remove pin and repeat on other anchor.
- 7) Place the mounting plate on the wall over the installed wall anchors with "UP" facing you.
- 8) Tighten screws.
- 9) Place decorative product over the mounting plate with the setscrew facing down and tighten setscrew.

### Cleaning Instructions:

To preserve the fine finish of this product, clean only with a soft damp cloth. Dry well. Do not use commercial or abrasive cleaners.

**Stock Number:** \_\_\_\_\_ BP1803 Hand Towel Bar

# MOEN®

25300 AL MOEN DRIVE • NORTH OLMSTED, OH 44070  
CONSUMER SUPPORT: (800) 289-6636 • FAX: (800) 848-6636  
INTERNATIONAL: (440) 962-2000 • FAX: (440) 962-2726  
CUSTOMER SERVICE (USA): 800-882-0116 • FAX: (888) 379-2720  
WWW.MOEN.COM  
© 2019 Moen Incorporated.