

X-Stone Above-Counter Bathroom Vessel

Specification & Installation Guide

FEATURES

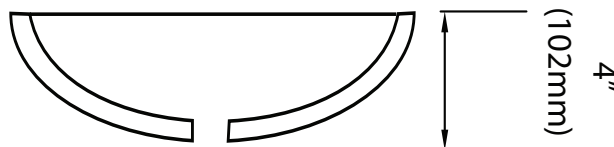
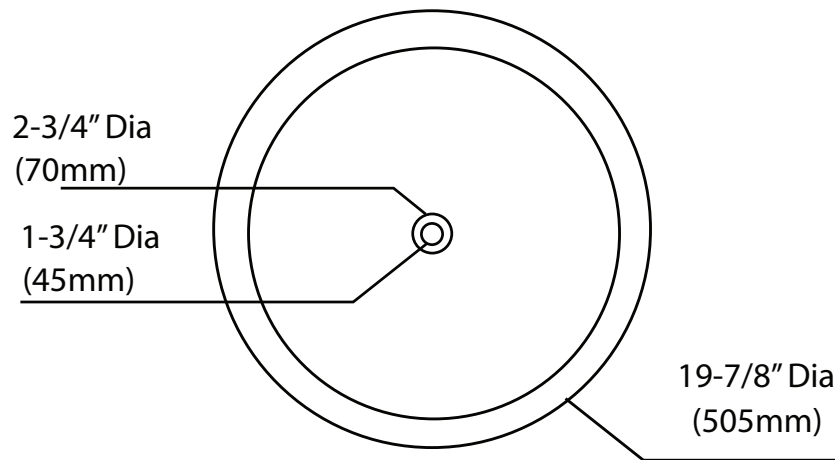
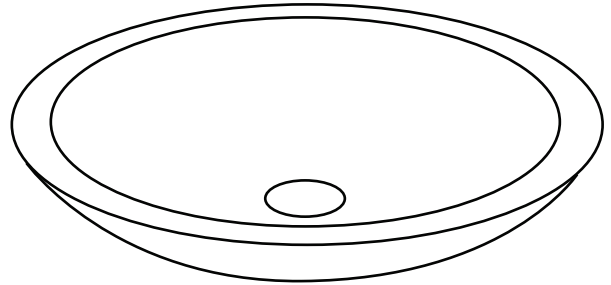
- Design: Round / Contemporary
- Material: X-Stone solid surface
- Type: Above counter
- Overflow: No
- Diameter: 19-7/8" (505mm)
- Height: 4" (102mm)
- Drain hole: Diameter 1-3/4" (45 mm)
- Drain hole: No, Deck or Wall mounted faucet
- Packaging Dimensions: 23"(584mm) x 23"(584mm) x 7" (178mm)
- Weight: 26lbs. / 12kgs.

FINISHES

Glossy White

COMPLIANCE

CSA B45.5-11/IAPMO Z124-11
ADA Compatible



For clarification, please contact Madeli Customer Care at (800)-819-6988 or (305)-718-8817 Ext. 1
All dimensions are approximate and subject to standard tolerance. Specifications subject to change without prior notice.