

Vicenza - 72"

Specification & Installation Guide

FEATURES

- Free Standing 72" vanity: 32-1/16" (815mm)H x 22"(559mm)D x 71-5/8" (1820mm)W
- Furniture grade plywood layered with solid wood veneer and protected with several coats of polyurethane (No particle board or MDF used).
- Matching finish inside out
- Two soft-close doors open to two full extension interior drawers and adjustable shelves.
- Two drawers of different depths with full extension European hardware. Bottom drawer offers adjustable tempered glass dividers.
- Handle and legs : Polished chrome finish

Colors/Finishes

- Ash Grey (AG)
- Glossy White (GW)
- Walnut (WA)

TOP/BASIN OPTIONS

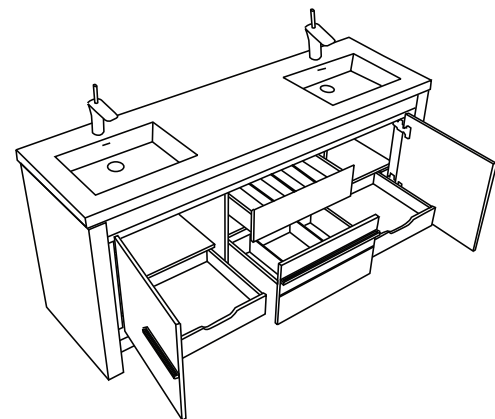
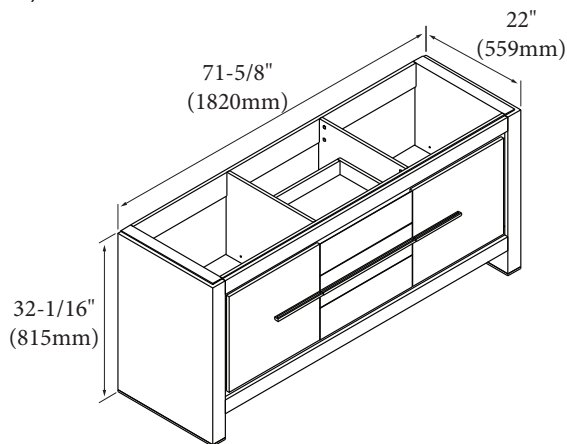
- White or Soft Grey Quartzstone™ top & white under mount ceramic basin
- Glossy White X-Stone top/basin
- Tempered glass top and ceramic basin
- Glossy or Matte White X-Stone flat top with any other suitable above-counter vessels

Package Dimensions

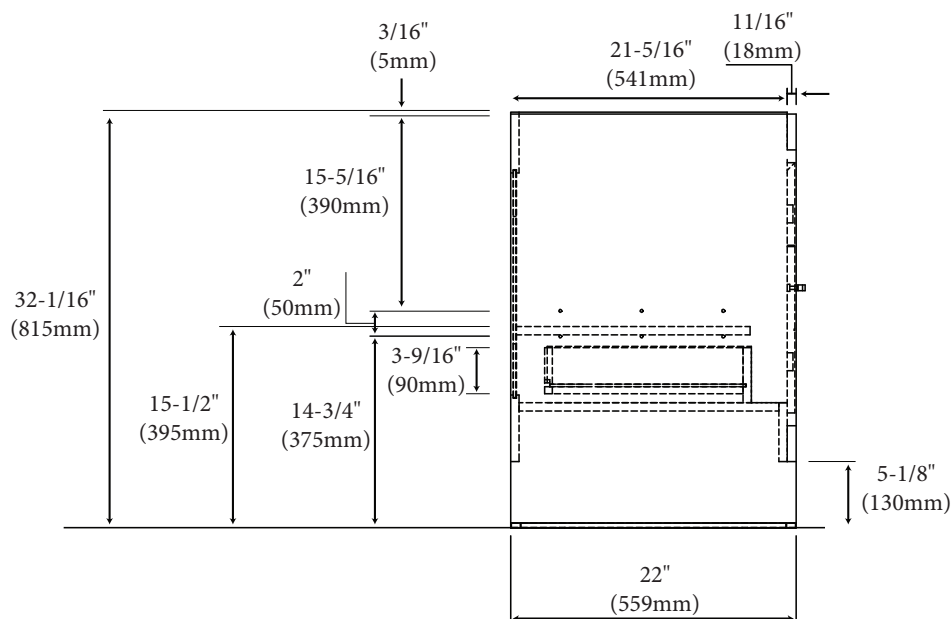
76" x 27" x 35"

Weight

233 lbs. / 105.81 kgs.



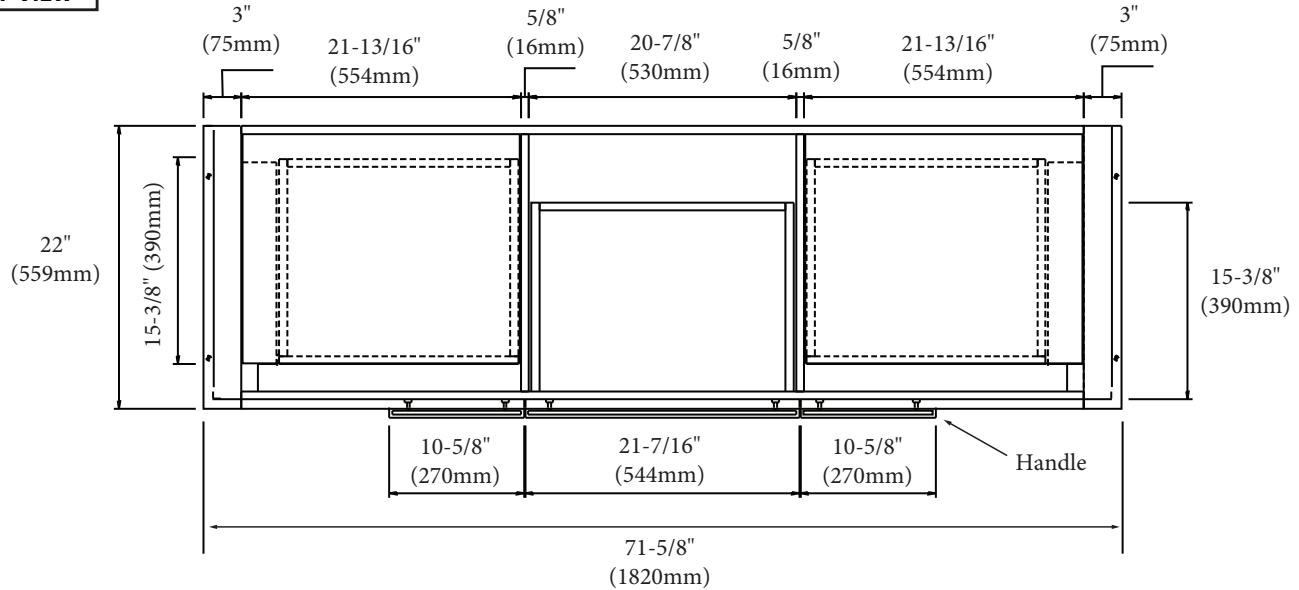
SIDE VIEW



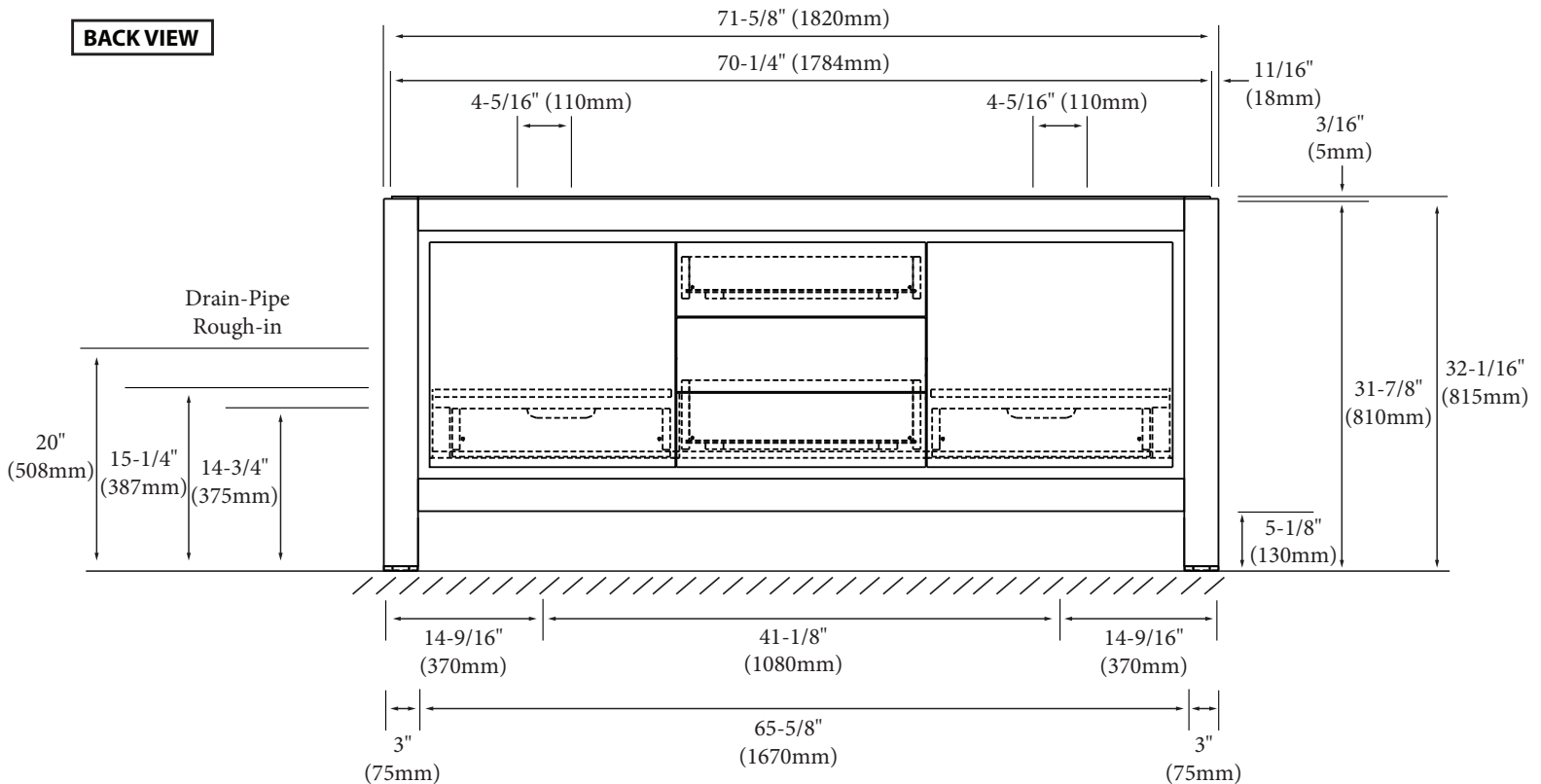
Vicenza - 72"

Specification & Installation Guide

TOP VIEW



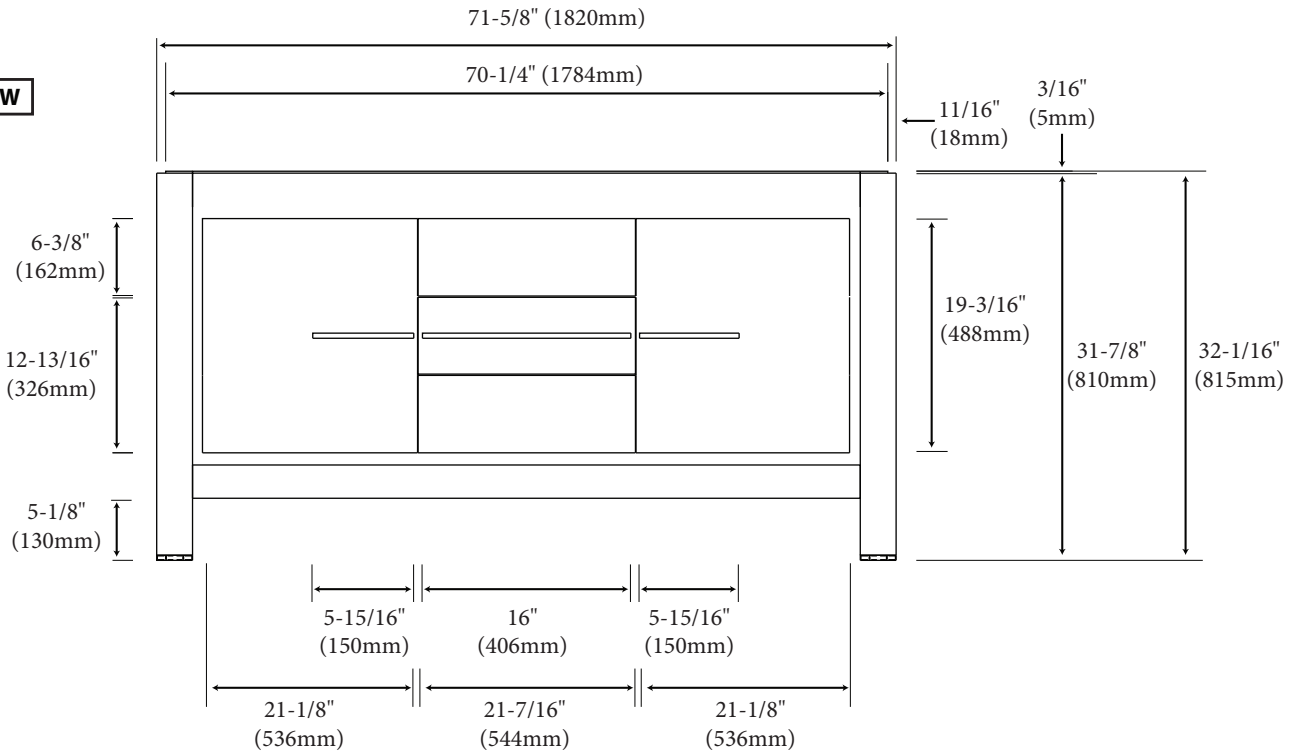
BACK VIEW



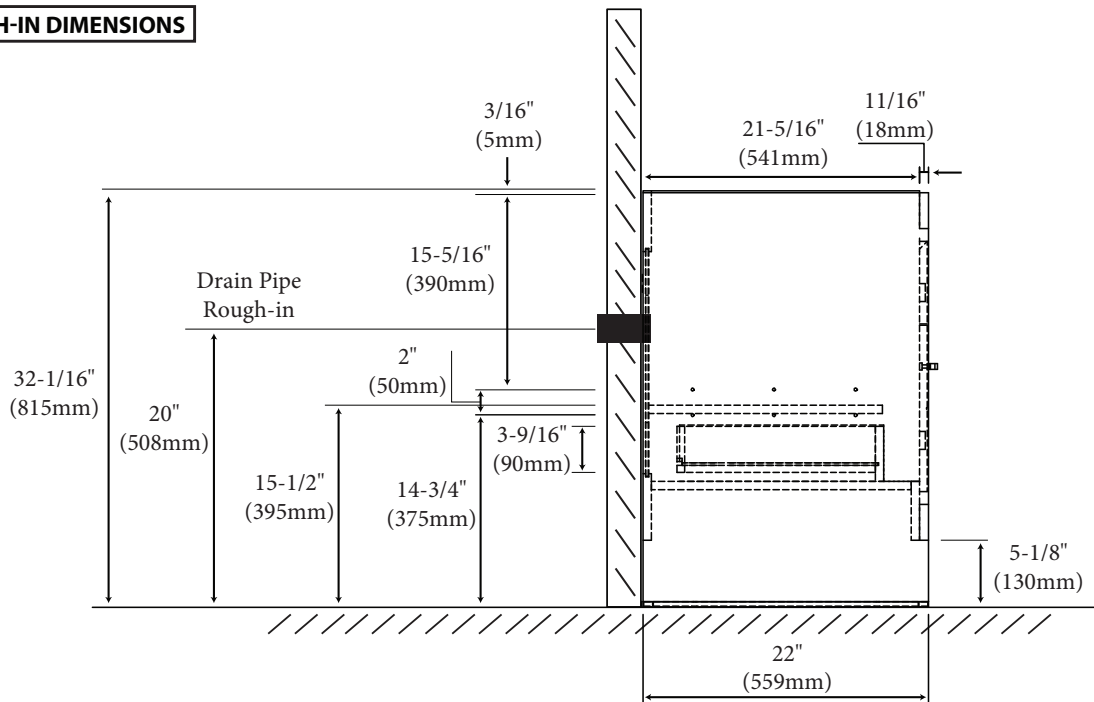
Vicenza - 72"

Specification & Installation Guide

FRONT VIEW



ROUGH-IN DIMENSIONS



For clarification, please contact Madeli Customer Care at (800)-819-6988 or (305)-718-8817 Ext. 1

All dimensions are approximate and subject to standard tolerance. Specifications subject to change without prior notice.