

Quartzstone Countertop – 60" Double

Specification & Installation Guide

FEATURES

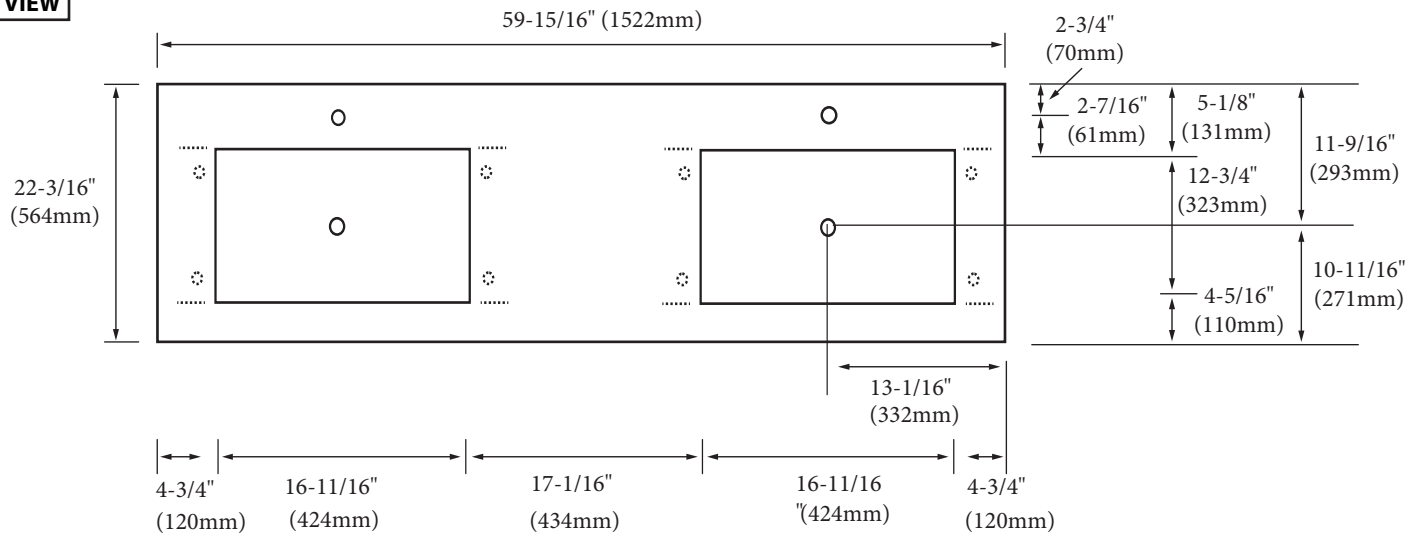
- Design: Quartzstone Countertop
- Material: Quartz composite.
- Dimension: 59-15/16" (1522 mm)L x 22-3/16" (564 mm)W x 3/4" (20 mm)H
- Basin cut-out for Madeli under mount sink CB-2015
- Faucet hole(s): Single or 8" widespread.
- 4"H backsplash is included
- Packaging Dimensions: 63" (1600 mm) x 25" (635 mm) x 4" (102 mm)
- Gross Weight: 84 lbs (39 kg)

FINISHES

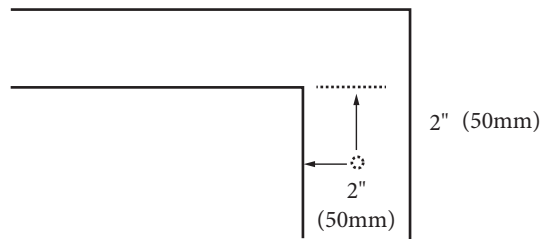
- White (WH)
- White Carrara (WC)
- Mocha (MO)



TOP VIEW



UNDER SIDE VIEW (CLIP POSITIONS)



For clarification, please contact Madeli Customer Care at (800)-819-6988 or (305)-718-8817 Ext. 1

All dimensions are approximate and subject to standard tolerance. Specifications subject to change without prior notice.