

Features

- For use with valves with a diverter
- Complements Pinstripe® Suite
- Cross handle
- Requires a Rite-Temp® pressure-balancing valve

Material

- Premium material construction

Installation

- Wall-mount

Required Products/Accessories

K-11748 Series Rite-Temp® Valves



ADA

Codes/Standards

ASME A112.18.1/CSA B125.1

ADA





ICC/ANSI A117.1

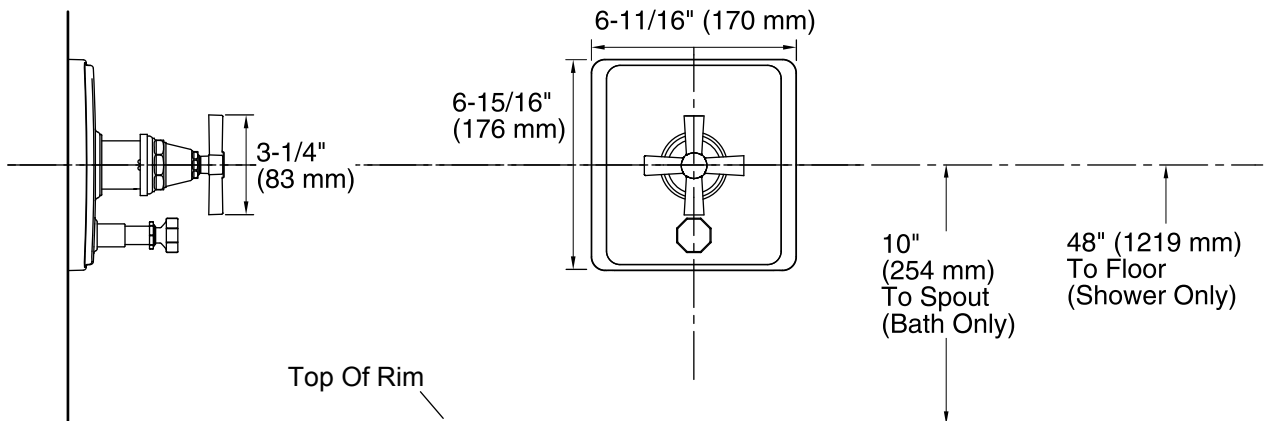
KOHLER® Faucet Lifetime Limited Warranty

See website for detailed warranty information.

Available Colors/Finishes

Color tiles intended for reference only.

Color	Code	Description
	CP	Polished Chrome
	SN	Vibrant® Polished Nickel
	BN	Vibrant® Brushed Nickel
	BV	Vibrant® Brushed Bronze



Technical Information

All product dimensions are nominal.

Notes

Install this product according to the installation guide.

Avoid cross-flow conditions. Do not install shut-off device on either valve outlet.

Cap the shower outlet if deck-mount spout, diverter, or handshower is connected to the spout outlet.

Install straight pipe or tube drop of 7" (178 mm) to 18" (457 mm) with single elbow between the valve and wall-mount spout.

ADA compliant when installed to the specific requirements of these regulations.