



Eir™ Comfort Height®

One-piece elongated dual-flush intelligent toilet

K-77795

Features

- Compact, streamlined one-piece intelligent toilet with integrated personal cleansing.
- Elongated bowl offers added room and comfort.
- Comfort Height® feature offers chair-height seating that makes sitting down and standing up easier for most adults.
- Dual flush offers a choice of 0.8 or 1.0 gpf (3.0 or 3.8 l/pf).
- Stainless steel wand offers adjustable spray shape, position, water pressure, temperature, pulsate and oscillate functions.
- The bowl is misted prior to use for more effective rinsing after flushing.
- Front and rear wash modes provide warm water for cleansing.
- Self-cleaning function uses UV light and electrolyzed water systems to sanitize the wand surfaces.
- Warm air drying system.
- Automatic deodorization system.
- Heated seat with adjustable temperature settings.
- Motion-activated, hands-free opening/closing of seat and cover.
- Quiet-Close™ lid closes slowly and quietly without slamming.
- LED lighting illuminates the bowl to serve as a night-light.
- English-language touchscreen LCD remote control.
- Emergency flush supports up to 100 flushes during power outage with simple touch-button activation.
- Add luxury to your space by customizing the seat with a Rose Gold or Sunrise Gold accent band (sold separately).

Material

- Vitreous china.

Technology

- Dual-flush technology allows you to choose between a full- or partial-flush.
- Pump-assisted flushing for strong flush performance.

Installation

- Included components: Complete toilet and seat, supply stop valve, braided inlet supply hose, power cord and LCD remote control.
- Standard 12" rough-in.

Included Components

Additional Components:
 LCD remote control
 Seat
 power cord



ADA **CSA B651** **OBC**

Codes/Standards

ASME A112.19.2/CSA B45.1
 ASME A112.4.2/CSA B45.16
 ASME A112.19.14
 DOE - Energy Policy Act 1992
 EPA WaterSense®
 California Energy Commission (CEC)
 UL 1951
 CSA C22.2 No. 14
 CSA C22.2 No. 68
 ADA
 ICC/ANSI A117.1
 CSA B651
 OBC

KOHLER® Intelligent Toilet and C3® Cleansing Seat Three-Year Limited Warranty

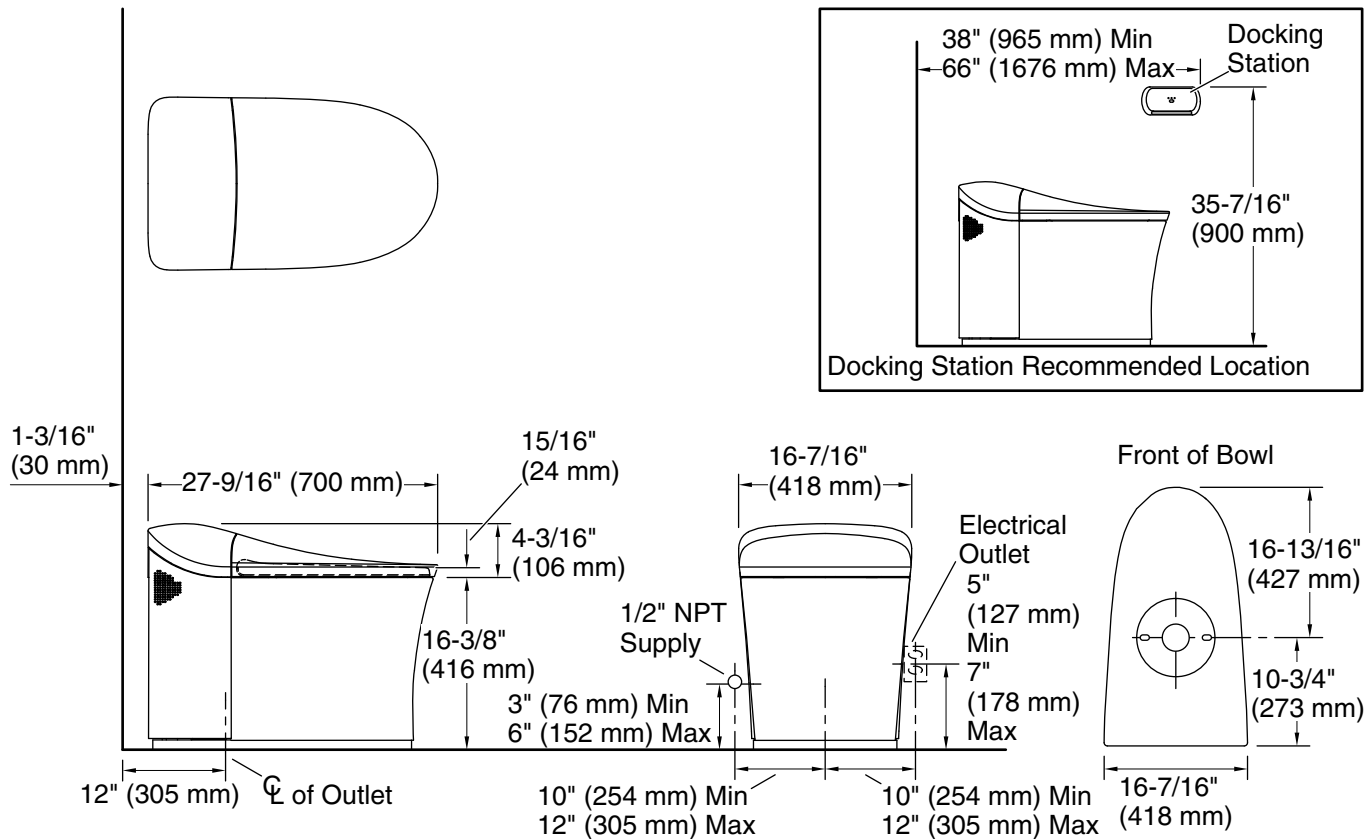
See website for detailed warranty information.

Available Colors/Finishes

Color tiles intended for reference only.

Color Code Description

 0 White



Required Electrical Service

One dedicated circuit required, protected with Class A Ground-Fault Circuit-Interrupter (GFCI). Outside North America, this device may be known as a Residual Current Device (RCD).
120 V, 15 A, 60 Hz

Technical Information

All product dimensions are nominal.

Toilet type:	One-piece, Wall-mount
Waste Outlet:	Floor
Bowl shape:	Elongated
Flush type:	Rim Jet, Siphon jet
Trap passageway:	1-15/16" (49 mm)
Water Consumption	
Full:	1 gpf (3.8 lpf)
Reduced:	0.8 gpf (3 lpf)
Water surface size:	7-15/16" x 5-5/8" (202 mm x 143 mm)
Rim to water surface:	5-1/4" (133 mm)
Rough-in:	12" (305 mm)

Fixture Supply Requirements

Max static pressure:	80 psi (551.6 kPa)
Min flow rate:	6 gpm (22.7 lpm)

Notes

Install this product according to the installation instructions.
ADA, OBC, CSA B651 compliant when installed to the specific requirements of these regulations. Plumbing codes may require elongated toilets and elongated, open-front seats in public bathrooms. Accessibility standards may require controls to be located on the open side of the toilet.