



2"x6" In-Wall Tank and Carrier System K-6284

Features

- Robust steel tube frame.
- Insulated tank to prevent sweating.
- Large flush actuator plate opening can be removed for easy access to the inner tank.
- Adjustable height allowing the bowl to be set anywhere from 15-3/8 inches to 28-1/2 inches from floor.
- Dual flush actuator offers a choice of 0.8 or 1.6 gallons per flush (gpf).
- Combines with the K-6299 bowl to create a complete K-6303 Veil toilet or with a K-6300 bowl to create a complete K-6304 Veil toilet.

Technology

- Dual-flush technology allows you to choose between a full- or partial-flush.

Installation

- Durable steel frame carrier is installed on 2"x6" studs behind the wall. See installation guide and installation video for more detailed information.
- When installed per Kohler's installation instructions, the Kohler in-wall tank and carrier system can support up to 880 lbs without damage.
- Supply line not included.

Water Conservation & Rebates

- WaterSense® toilets meet strict EPA flushing guidelines, including using at least 20 percent less water than 1.6-gallon toilets.
- Eligible for consumer rebates in some municipalities.

Recommended Products/Accessories

K-6291 Wall-Hung Toilet Cast Iron Waste Pipe
K-6300 Wall-Hung Elongated Toilet Bowl
K-6299 wall-hung elongated dual-flush toilet

Included Components

Product consists of:

K-6298 Flush Actuator Plate

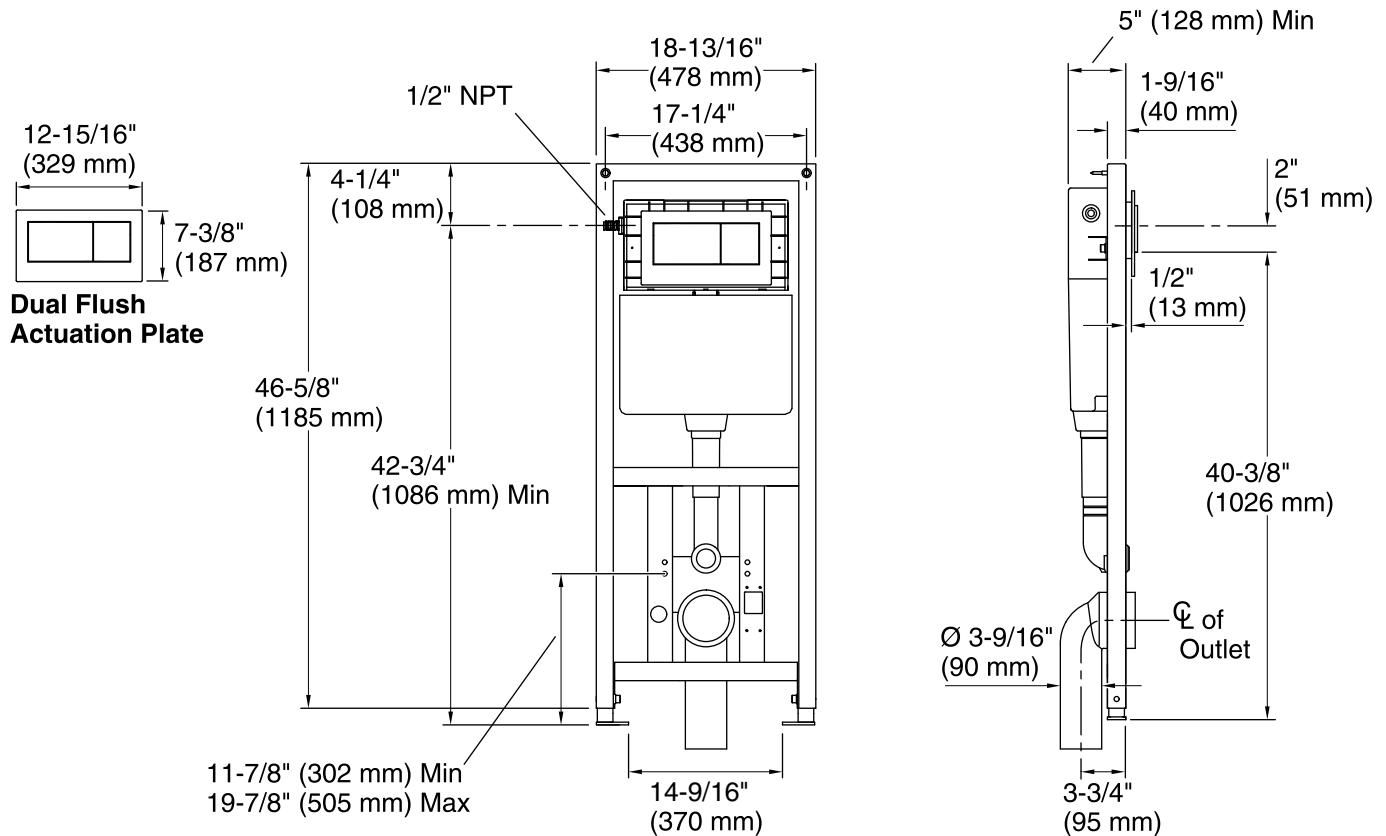


Codes/Standards

ASME A112.19.14
ASME A112.6.2
DOE - Energy Policy Act 1992

KOHLER® One-Year Limited Warranty

See website for detailed warranty information.



Technical Information

All product dimensions are nominal.

Toilet type: In-wall, Wall-mount

Waste Outlet: Wall

Fixture Supply Requirements

Max static pressure: 80 psi (551.6 kPa)

Notes

Install this product according to the installation instructions.

Installation requires 2x6 framing.

Install the in-wall tank and carrier system in a wall opening 5-1/2" (140 mm) x 19" (483 mm) x 50" (1270 mm) minimum.

Maximum inlet water temperature shall not exceed 80°F (26.7°C).