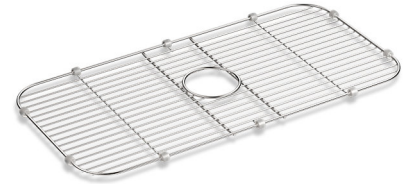


Features

- Fits in the bowl of K-5290-NA Undertone and K-5290-HCF-NA Undertone Preserve kitchen sinks.
- Comes included with the K-5290-HCF-NA Undertone Preserve kitchen sink.
- Durable stainless-steel construction.
- Dishwasher safe.
- Innovative wheels around the perimeter provide a secure fit and reduce debris buildup.



Codes/Standards

None Applicable


KOHLER® One-Year Limited Warranty

See website for detailed warranty information.

Available Colors/Finishes

Color tiles intended for reference only.

Color	Code	Description
-------	------	-------------

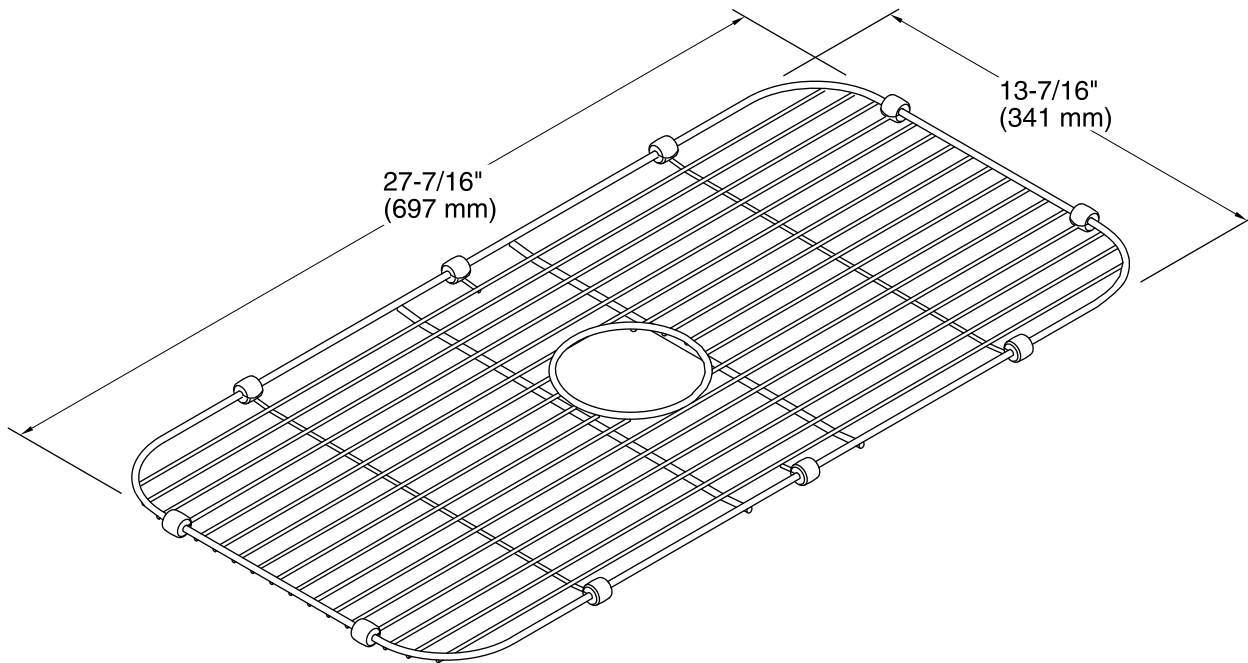
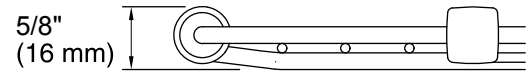
	ST	Stainless Steel
--	----	-----------------

KOHLER®

Undertone®

Sink Rack

K-5474



Technical Information

All product dimensions are nominal.

Material: Stainless Steel

1-800-4KOHLER (1-800-456-4537)

Kohler Co. reserves the right to make revisions without notice to product specifications.

For the most current Specification Sheet, go to www.kohler.com.

9-7-2019 11:29 - US/CA

THE BOLD LOOK
OF **KOHLER®**