

Features

- 775 silicone concave nozzles produce a full-coverage rain experience.
- 2.5 gpm (gallons per minute) flow rate.
- Deluge™ function delivers approximately 0.5 gallons of water in 8 seconds at the push of a button.
- Deluge™ function is actuated with Real Rain diverter valve (in manual showers) or can be actuated directly with the DTV+™ system.
- Center of the panel is designed as a rain-free zone to keep user's face dry and encourage easy breathing during regular use. Deluge™ function flows from center of the panel when actuated.

Material

- 19"x19" silicone panel provides wide-coverage area with easy-to-clean nozzles.

Installation

- Mount flush to the surface of a drop ceiling.
- Easy-mount bracket and two-panel system improve the installation process.
- Z-Bracket contains four leveling nuts to simplify installation.
- Real Rain overhead panel has 1/2" NPT male water supply inlet.
- If using DTV+™ system, must include K-99693-P digital interface, K-99694 interface mounting bracket, and K-99695 system control module.
- If using DTV Prompt® system, must include K-76746 Real Rain diverter valve and K-76748 trim to actuate Deluge™ function.

Required Products/Accessories

K-31111 overhead panel trim
K-76746 Diverter Valve
K-76748 diverter valve trim

or

K-31111 overhead panel trim
K-99693-P digital interface
K-99694 Interface Mounting Bracket
K-99695 System Controller Module



Codes/Standards

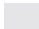

ASME A112.18.1/CSA B125.1
DOE - Energy Policy Act 1992

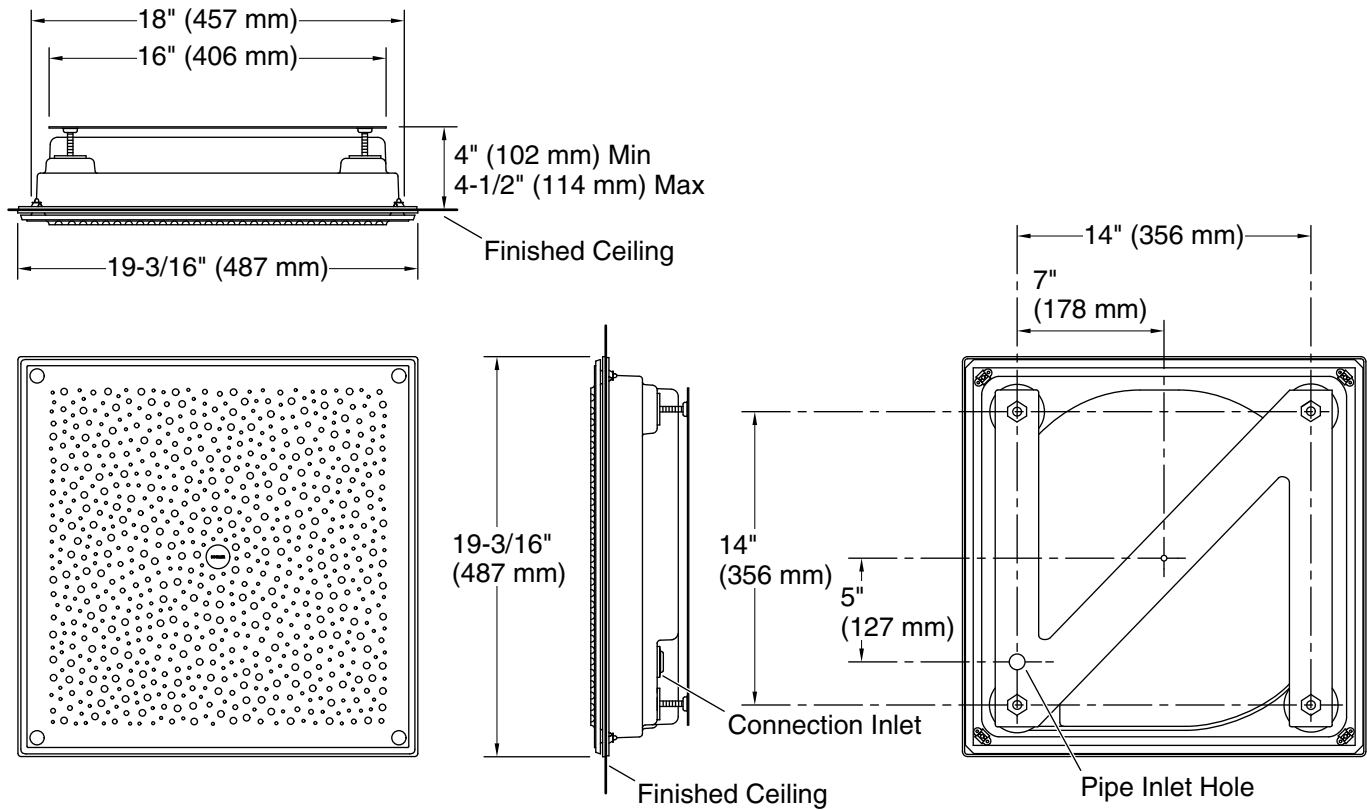
KOHLER® Faucet Lifetime Limited Warranty

See website for detailed warranty information.

Available Colors/Finishes

Color tiles intended for reference only.

Color	Code	Description
	0	White
	58	Thunder™ Grey



Technical Information

All product dimensions are nominal.

Drain included: No

Showerhead/Body Spray:

Rated maximum flow: 2.5 gal/min (9.5 l/min)

Pressure: 45 psi (3.1 bar)

Notes

Install this product according to the installation instructions.

Locate the push button or digital interface within arm's reach so the user can actuate deluge when under the Real Rain shower.

For use with automatic compensating valves rated at 2.0 gal/min (7 l/min) or less.