

Features

- For use with the K-21103 Farmstead kitchen sink (wall-mount installation only).
- Fits K-21104 Farmstead contemporary legs or K-21105 Farmstead transitional legs.
- Holds up to 50 lb.
- Removable insert makes room for garbage disposal.
- Installation hardware included.

Material

- Stainless steel construction.

Recommended Products/Accessories

K-21103-1HP5 Freestanding Kitchen Sink
K-21103-1HW Freestanding Kitchen Sink
K-21103-2HP5 Freestanding Kitchen Sink
K-21103-2HW Freestanding Kitchen Sink
K-21103-3HP5 Freestanding Kitchen Sink
K-21103-3HW Freestanding Kitchen Sink
K-21104 contemporary legs
K-21105 transitional legs



Codes/Standards

None Applicable


KOHLER® One-Year Limited Warranty

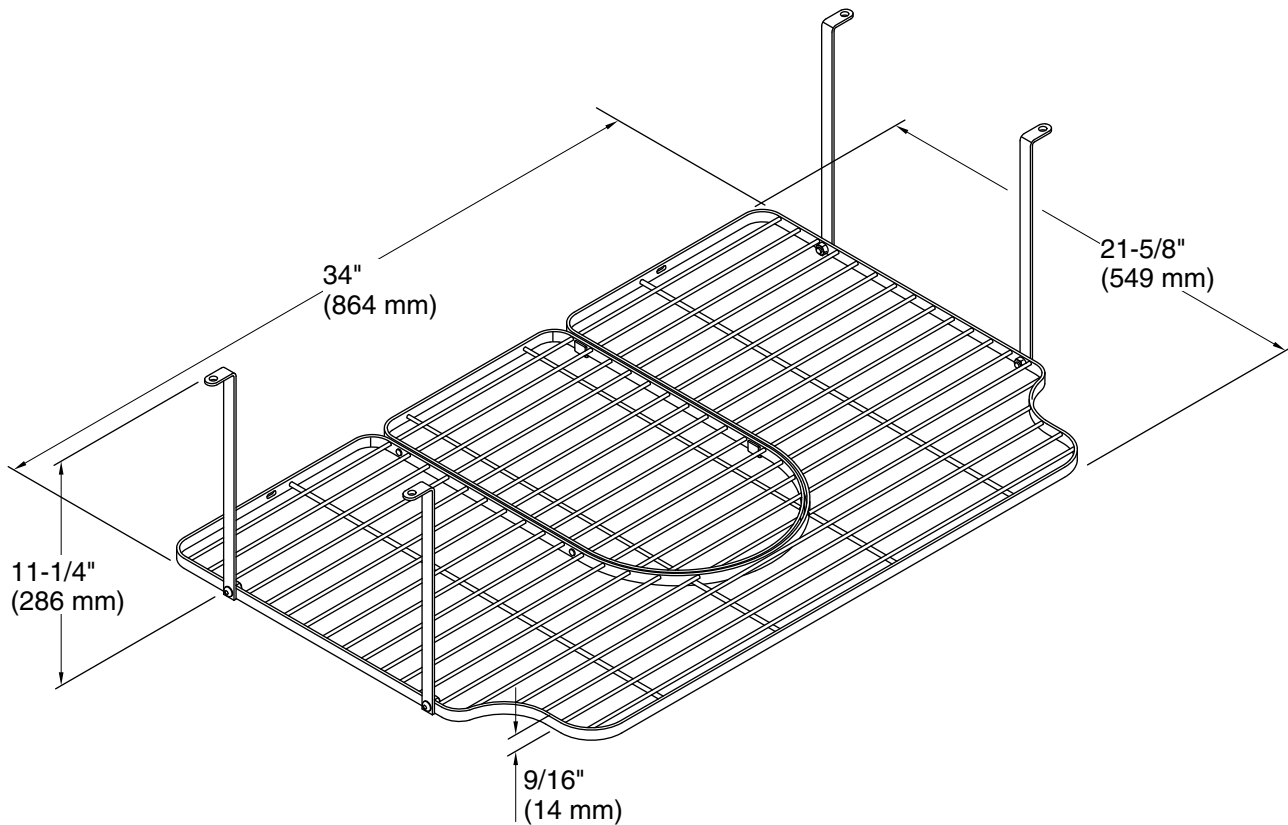
See website for detailed warranty information.

Available Colors/Finishes

Color tiles intended for reference only.

Color	Code	Description
-------	------	-------------

	ST	Stainless Steel
--	----	-----------------



Technical Information

All product dimensions are nominal.

Material: Stainless Steel

Notes

Install this product according to the installation instructions.