



Brenham™
Wall-Mount Bathroom Sink
K-1997-8

Features

- 8-inch center faucet holes.
- Oval basin.
- Overflow drain.
- Includes wall hanger.

Material

- Vitreous china.

Installation

- Wall-mount
- Drilled for concealed arm carrier installation.

Optional Products/Accessories

K-8998 P-Trap
K-1998 Shroud

Included Components

Additional Components:
Hanger(s) (Qty 2)



ADA **CSA B651** **OBC**

Codes/Standards




ASME A112.19.2/CSA B45.1
ADA
ICC/ANSI A117.1
CSA B651
OBC

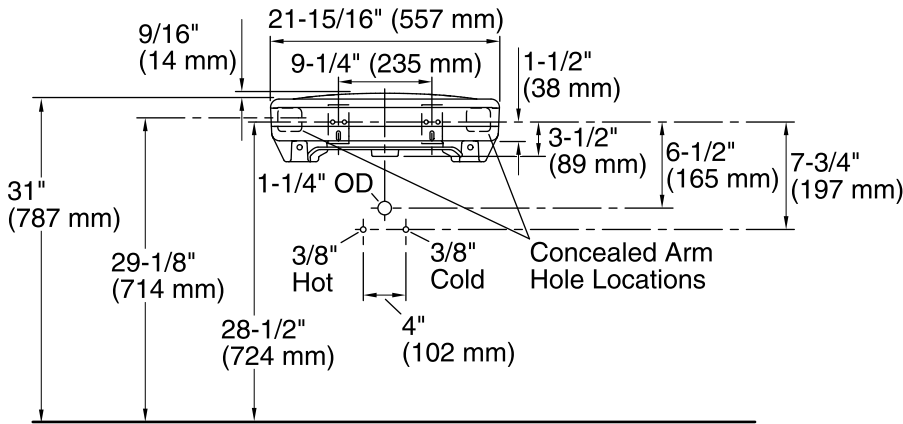
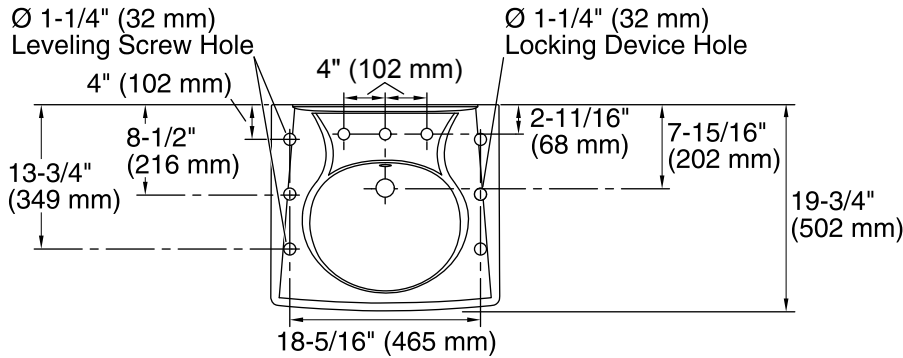
KOHLER® One-Year Limited Warranty

See website for detailed warranty information.

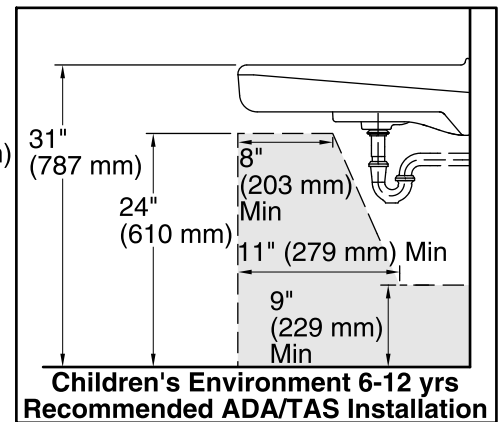
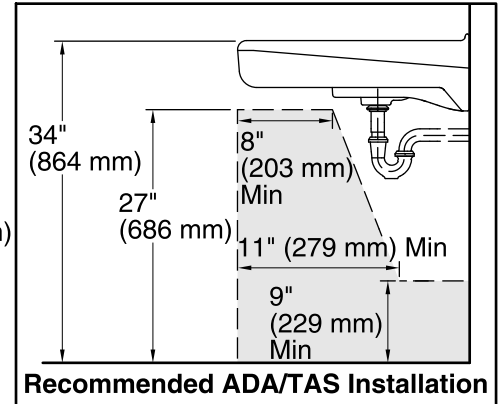
Available Colors/Finishes

Color tiles intended for reference only.

Color	Code	Description
	0	White
	96	Biscuit
	7	Black Black™



Standard Installation



Technical Information

All product dimensions are nominal.

Bowl configuration: Single

Installation: Wall-mount

Bowl area (Only): Length: 14-3/8" (365 mm)
 Width: 12-5/16" (313 mm)
 With overflow: Yes
 Water depth: 3-1/4" (83 mm)

Number of deck holes: 3

Faucet hole spacing: 8" (203 mm)

Faucet hole(s): 1-3/8" (35 mm)

Drain hole: 1-3/4" (44 mm)

Notes

Install this product according to the installation instructions.

ADA, OBC, CSA B651 compliant when installed to the specific requirements of these regulations.