

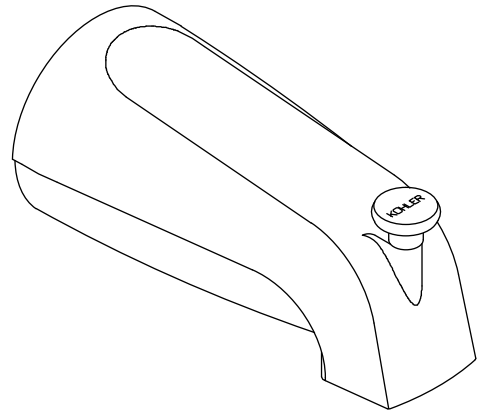
Features

- Metal construction
- 4-5/8" (117 mm) diverter spout with NPT or slip-fit connection

Codes/Standards Applicable

Specified model meets or exceeds the following:

- ASME A112.18.1/CSA B125.1
- CEC



Colors/Finishes

- CP: Polished Chrome
- PB: Vibrant® Polished Brass

Specified Model

Model	Description	Colors/Finishes	
K-15136	Bath spout with NPT diverter	<input type="checkbox"/> CP	<input type="checkbox"/> PB
K-15136-S	Bath spout with slip-fit diverter	<input type="checkbox"/> CP	<input type="checkbox"/> PB

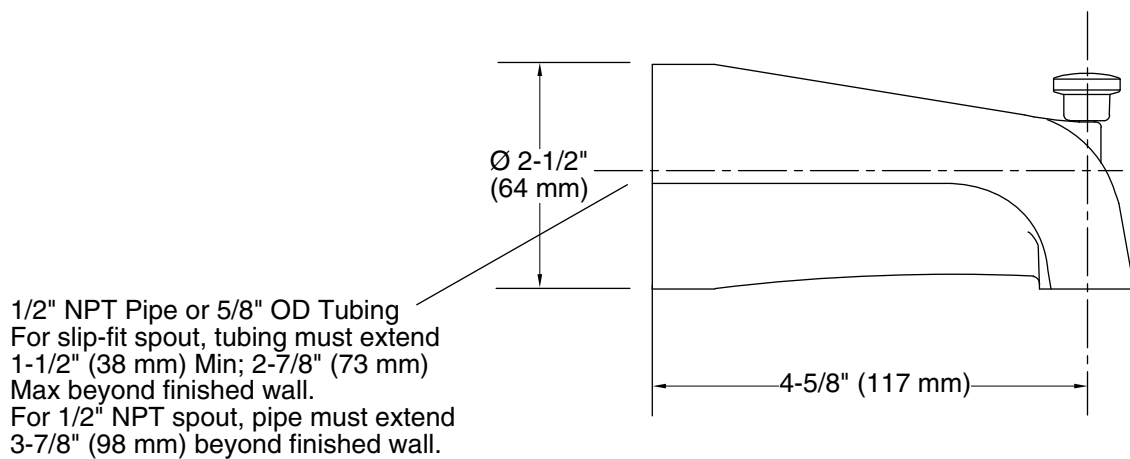
Product Specification

Product shall be a wall-mount 4-5/8" (117 mm) diverter bath spout and shall be of metal construction. Spout shall be available with NPT or slip-fit connection. Spout shall be Kohler Model K-15136-_____-_____.

CORALAIS®

Installation Notes

Install this product according to the installation guide.



Product Diagram