

TVH.4201 | 3/4" Thermostatic Valve Page 1 of 2

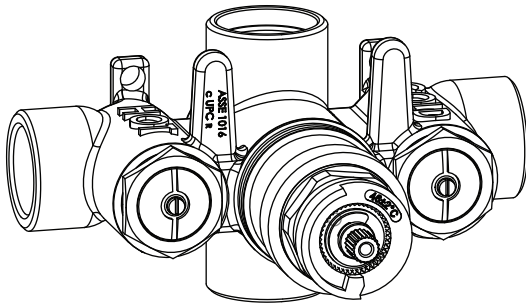


SPECIFICATIONS:

- Turn knob to control temperature.
- Thermostatic Valve Flow Rate - 13.0 GPM @ 60 PSI

STANDARDS:

- ASME A112.18.1 / CSA B125.1



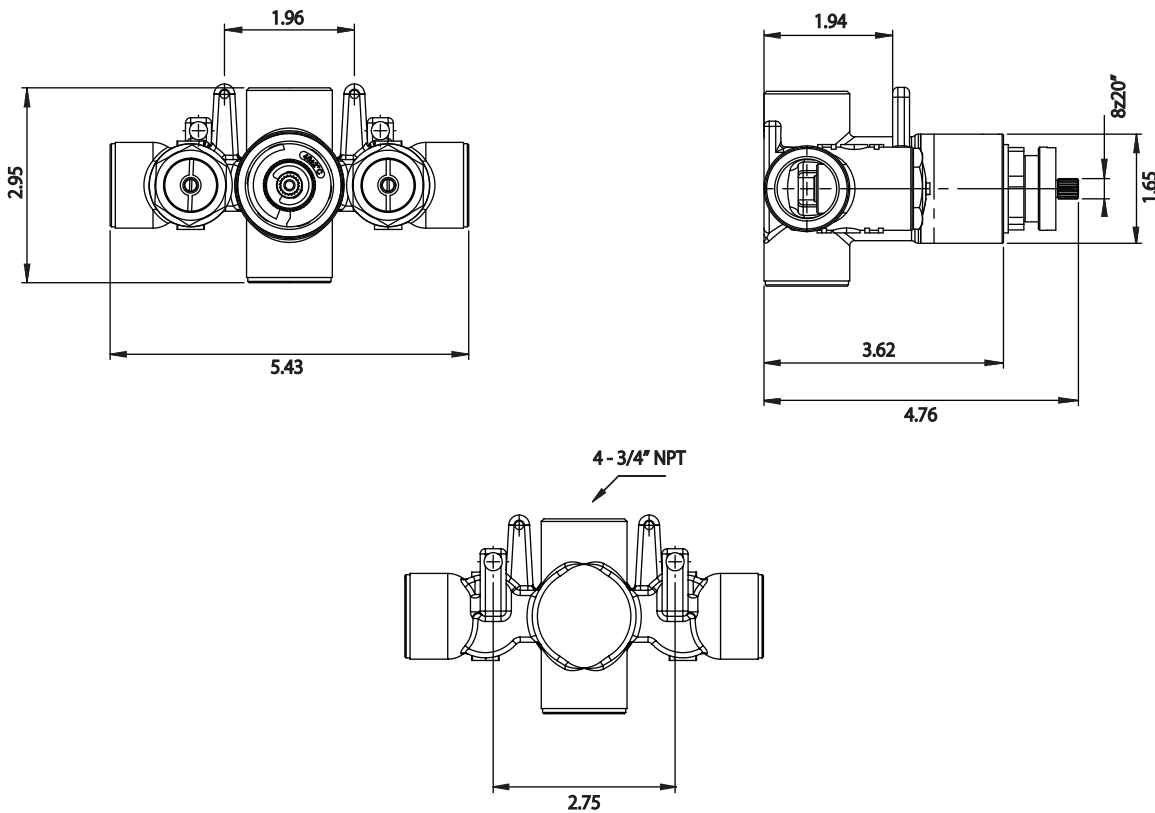
Legislation Compliance



ZeroDrip Technology



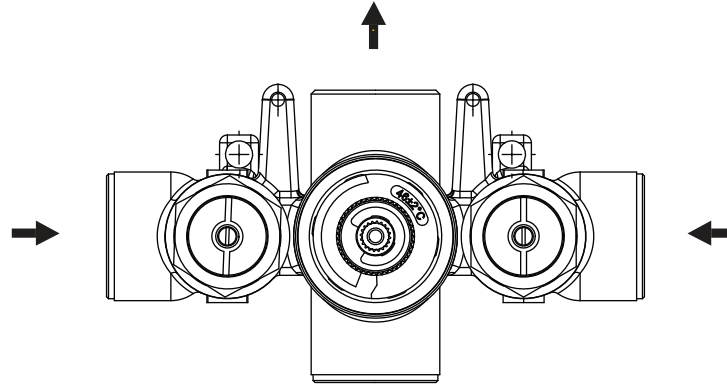
Technical Diagram



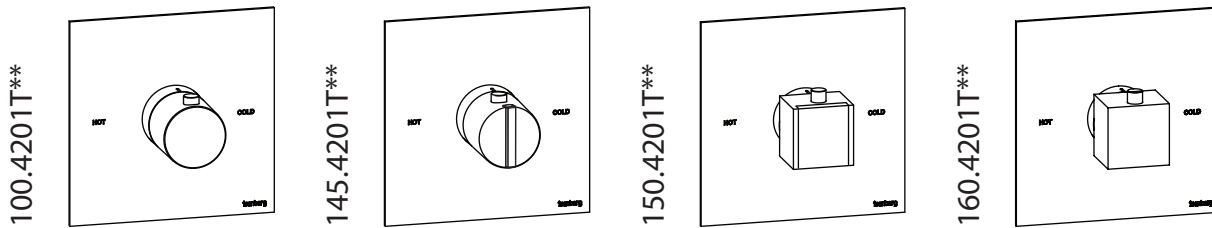


TVH.4201 | 3/4" Thermostatic Valve Page 2 of 2

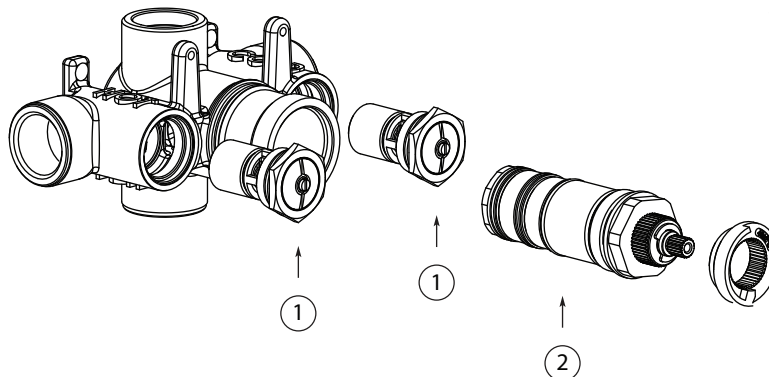
Water Flow Diagram



Trims



Explosion Diagram



Extension Kits

- a) Thermostatic Handle Extension - TVH.E185CP - Chrome
TVH.EA07BN - Brushed Nickel

Part Number Guide:

- ① Integral Stop Kit [Pair] - TVH.4201-1987
- ② Therm. Cartridge - TVH.4201-9853