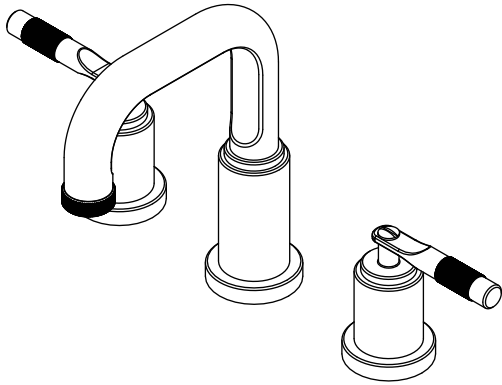


## Installation Manual For 250.2000 - Three Hole Faucet



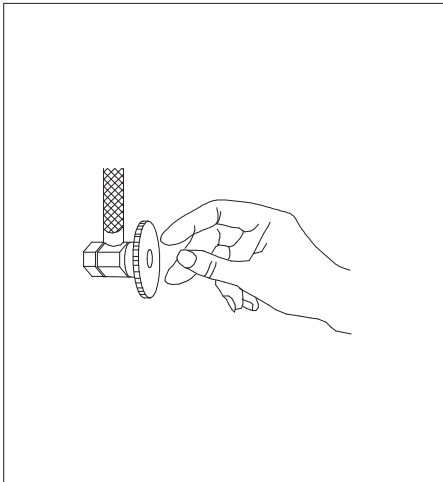
### NOTICE TO HOMEOWNER

- We recommend that this product is installed by a qualified professional plumber.
- Please check this product immediately to ensure that it has not been damaged and is complete. Before installation, please make sure this product is the correct model and you have all the parts required for installation and use.
- Please flush the water system to ensure that no metal swarf, solder, and other impurities can enter the product.
- Turn off water supply before commencing work.
- Please read these instructions carefully and retain for future reference.

### BEFORE YOU BEGIN

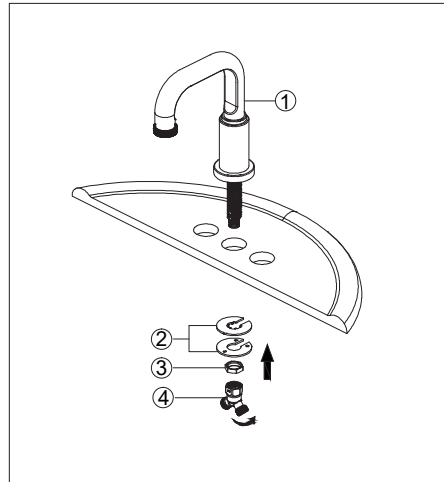
- You must observe all local plumbing laws and codes.
- Do not install this product if it does not meet plumbing codes.
- Shut off the main water supply.

## INSTALLING THE FAUCET



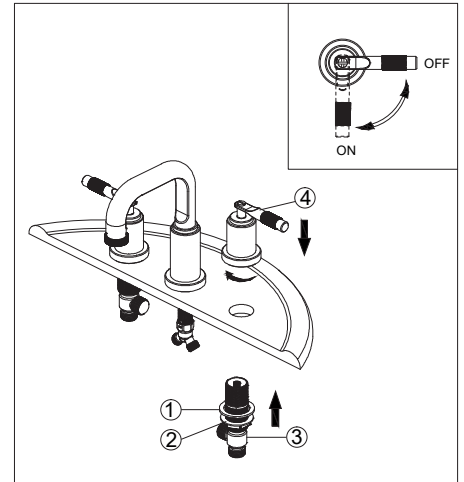
### Step 1

Shut off water supply. Remove old faucet. Clean the surface in preparation for new faucet.



### Step 2

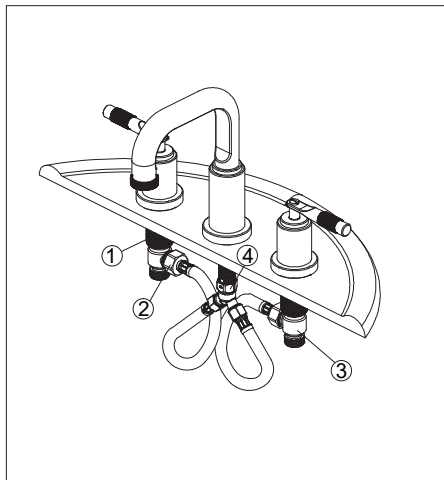
Place the spout assembly (1) through the middle mounting hole in the sink. Secure the spout assembly (1) with washers (2) and nut (3). Tighten the connector (4) over the inlet shank of the spout assembly (1).



### Step 3

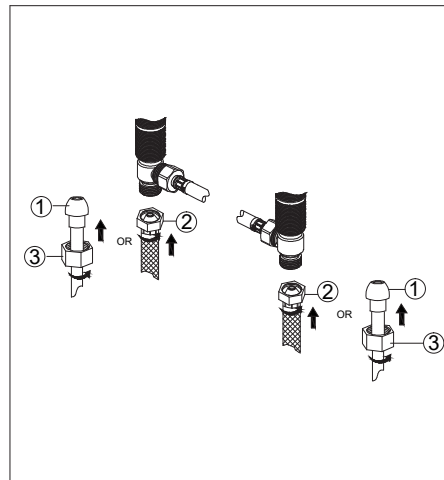
From underneath the deck, insert the valve body (3), rubber washer (1) and mounting nut (2) through the hole on the right (cold) side. Place handle assembly (4) onto the right (cold) valve stem (3). Then thread the assembly (4) onto the valve body (3). Place the other handle assembly onto the left (hot) valve stem and install the same way. Hot side end valve is red labeled.

Note : With the Cartridge in the "Off" position, align Handle to desired "Off" position, and engage the splines of the Valve Cartridge into the Handle Assembly.



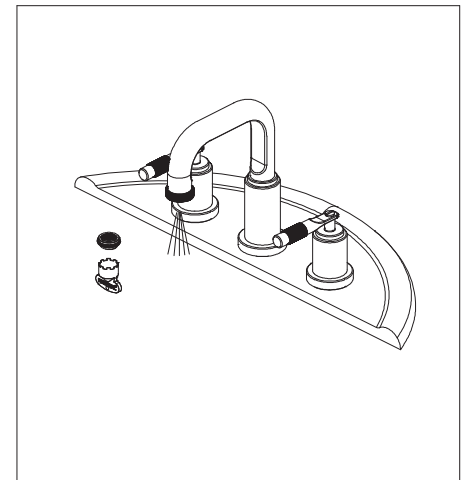
### Step 4

Connect the hoses (2) to the bottom of the hot and cold end valves (1 & 3), as shown. Carefully bend the hoses (2) to fit in the available space, and carefully thread the hose (2) couplings onto the sides of the connector (4) of the spout assembly. Tighten all connections with a wrench.



### Step 5

Connect the hoses (2) to the bottom of the hot and cold end valves (1 & 3), as shown. Carefully bend the hoses (2) to fit in the available space, and carefully thread the hose (2) couplings onto the sides of the connector (4) of the spout assembly. Tighten all connections with a wrench.



### Step 6

Important: After installation is completed, remove aerator with plastic wrench. Turn on water supply and allow both hot and cold water to run for at least one minute each. While water is running, check for leaks. Replace aerator. This flushes away any debris that could cause damage to internal parts.