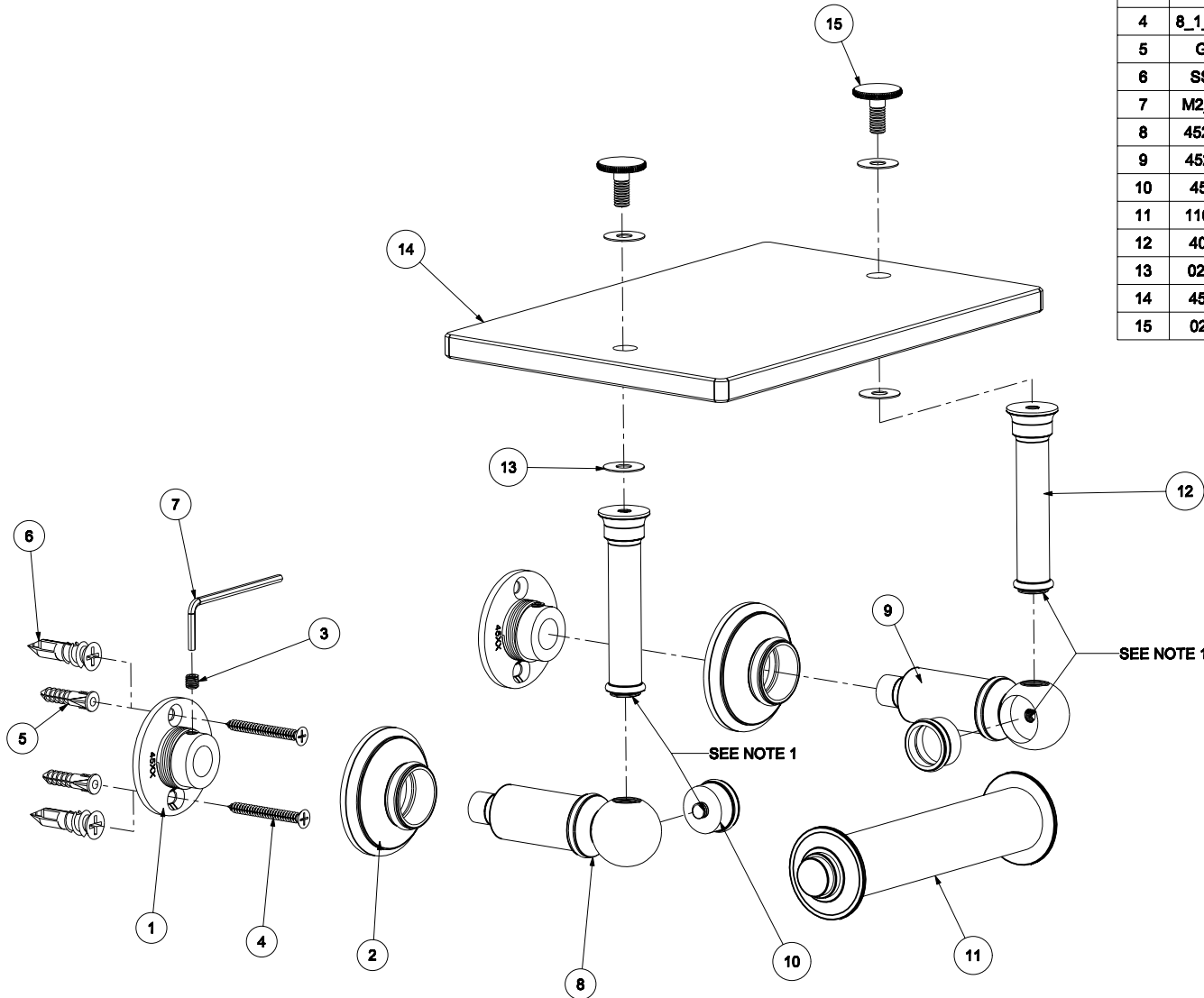


BILL OF MATERIAL

ITEM	PT/ASSY	DESCRIPTION	TYPE	QTY.	DWG.NO.
1	45XX	MOUNTING FLANGE	PART	2	45A-002
2	4500	ROSETTE	PART	2	45A-003
3	SM5-5S	M5 x5 STAINLESS STEEL SET SCREW	PART	2	-
4	8_1_5PFZ	NO.8 x 1-1/2" PHILLIPS FLAT HEAD	PART	4	-
5	GCA	NO. 8 -10 WALL ANCHOR PLASTIC	PART	4	-
6	SSPM	DRYWALL ANCHOR	PART	4	-
7	M2_5HK	2.5MM ALLOY STEEL HEX KEY	PART	1	-
8	4527PR	COVERED TISSUE HOLDER POST RIGHT	PART	1	45A-004
9	4527PL	COVERED TISSUE HOLDER POST LEFT	PART	1	45A-004
10	4550F	POST FLANGE	PART	2	45A-005
11	1108TN	FLANGED TISSUE ROLLER	PART	1	HEX-018
12	4027R	TISSUE SHELF RISER	PART	2	45A-006
13	0234W	SHELF WASHER	PART	4	SIN-011
14	4527G	GLASS COVER	PART	1	45A-007
15	0234S	TOP SCREW	PART	2	SIN-011



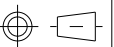
ASSEMBLY NOTES:
 1. APPLY PERMANENT THREAD LOCKER (LOCTITE 262).

FINISHES:AGD- ANTIQUE GOLD, AS- ANTIQUE SILVER, 10B- OIL RUBBED BRONZE,14- POLISHED NICKEL, 15- SATIN NICKEL, 26 POLISHED CHROME

MATERIAL: STAINLESS MOUNTING HARDWARE, VARIOUS BRASSES

PART NO. **4527** COVERED DOUBLE POST TISSUE HOLDER

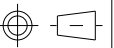
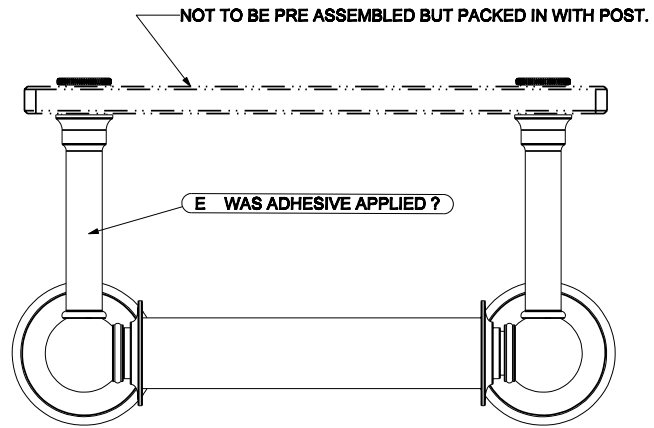
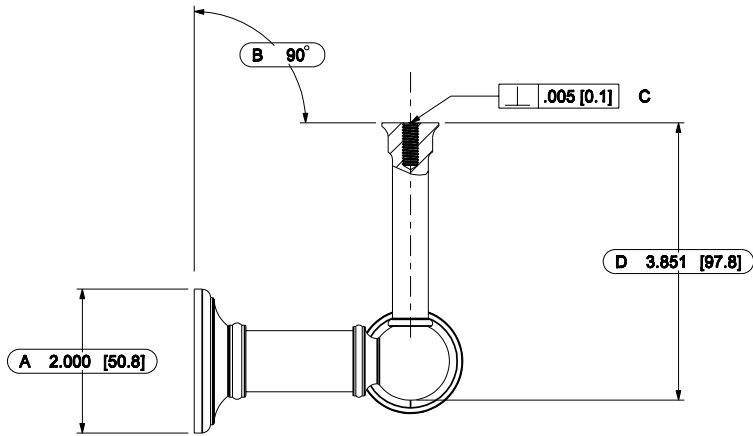
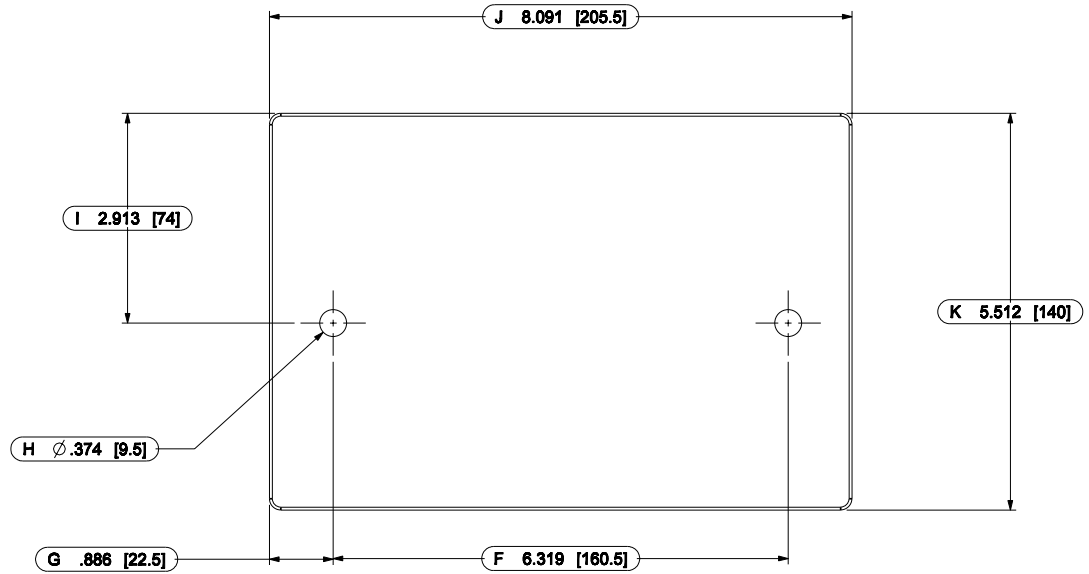
DATE:7.13.07 REV.DATE REV.A SCALE 3:8 COLUMNAR



GINGER

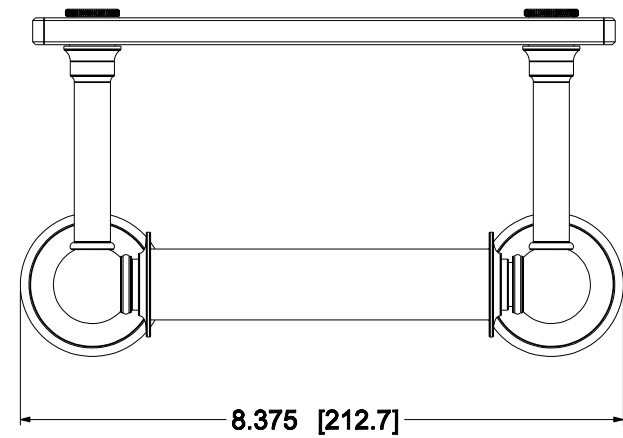
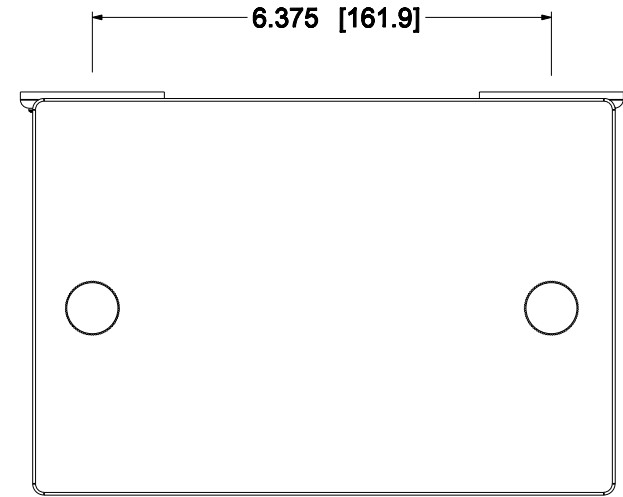
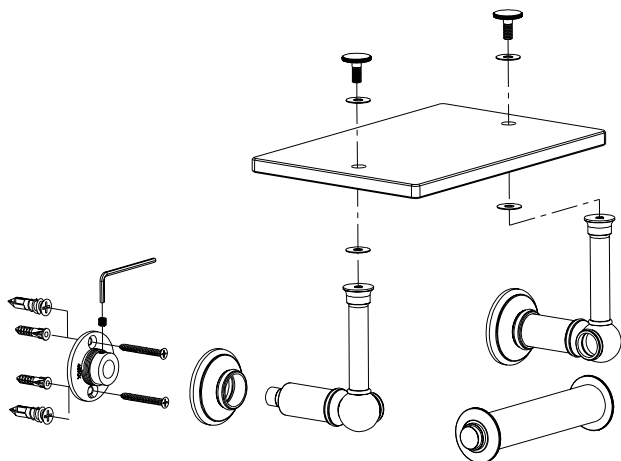
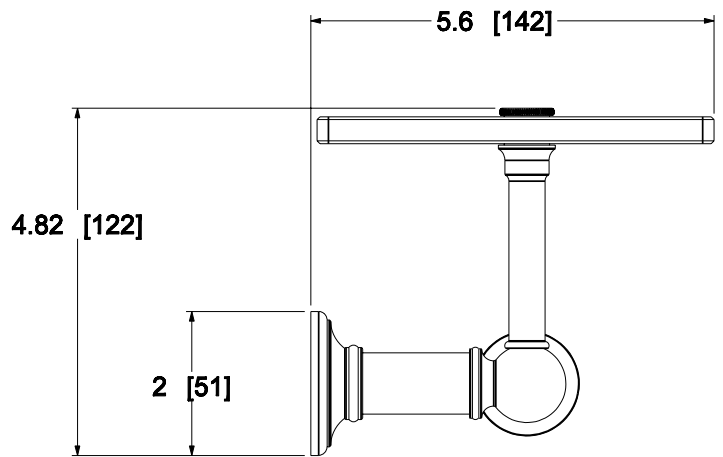
DWG.NO.

4527



FINISHES:AGD- ANTIQUE GOLD, AS- ANTIQUE SILVER, 10B- OIL RUBBED BRONZE,14- POLISHED NICKEL, 15- SATIN NICKEL, 26 POLISHED CHROME				
MATERIAL: STAINLESS MOUNTING HARDWARE, VARIOUS BRASSES				
PART NO.	4527	COVERED DOUBLE POST TISSUE HOLDER		
DATE:7.13.07	REV.DATE	REV.A	SCALE 3:8	COLUMNAR

GINGER
DWG.NO.
4527



FINISHES: 00- ANTIQUE GOLD, 01- ANTIQUE SILVER, 02- OIL RUBBED BRONZE, 03- POLISHED NICKEL, 04- SATIN NICKEL, 05- POLISHED CHROME		UNIT: INCH [MM]
MATERIAL: STAINLESS MOUNTING HARDWARE, VARIOUS BRASSES		WEIGHT: 4 LBS. 1OZ. [1.85 KG]
PART NO.	4527	TISSUE HOLDER WITH COVER
DATE: 4.17.07	REV. DATE:	SCALE 3:8
		COLUMNAR

GINGER
DWG. NO.
PD-4527

