

Assembly Instructions: 9808-FM (Seaport)

IMPORTANT:

- ALL INSTALLATION WORK SHOULD BE DONE BY ACCREDITED PROFESSIONAL.
- SHUT OFF POWER SUPPLY AT FUSE OR CIRCUIT BREAKER!
- USE ONLY THE SPECIFIED BULBS. DO NOT EXCEED THE MAXIMUM WATTAGE!

For Customer Service, please contact the place of purchase.

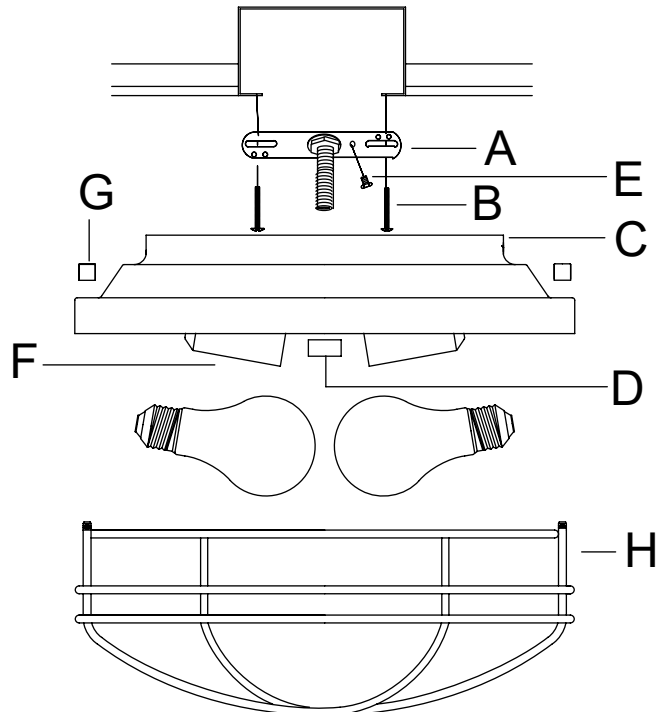
PREPARING FOR INSTALLATION

Remove all of the contents from the carton. See the important notes above. Shut off the power at the circuit breaker and completely remove the old fixture from the ceiling, including the old mounting strap.

1. Take the mounting strap assembly from the parts bag. One end of the nipple should be attached to mounting strap (A) with hex nut securely in place. Attach the mounting strap (A) to the junction box using mounting screws (B) and a screw driver. Tighten the screws.
2. Pull house wires through the fixture's mounting strap (A).

CONNECTING THE WIRES

3. Have an assistant support the fixture's weight while you complete the wiring. Refer to the wiring diagram and attach the fixture's wires to the power supply wires from the junction box. Trim any excess wires adding at least 2 to 3 inches of wire to the desired length. Connect Hot to Hot (black or smooth), Neutral to Neutral (white or ribbed), and Ground to Ground (green or copper). Twist the ends of the wire pairs together, and then twist on a wire connector. Make sure all twists are in the same direction. If there is no house ground wire coming from the junction box, locate ground screw (E) on the mounting bracket/mounting strap and wrap the fixture's ground wire around the ground screw. Use a screwdriver to tighten the top of ground screw (E) onto the wires and into the mounting bracket. Tuck the wires into the junction box.



| How to Identify the Fixture's Wires | | |
|-------------------------------------|--------------------|--|
| Hot | Neutral | Ground |
| Smooth | Ribbed | Bare Metal, Green, or Green Inner Thread |
| Black | White | |
| Black Inner Thread | White Inner Thread | |

FINISHING THE INSTALLATION

4. Push canopy (C) up to the ceiling and thread finial (D) onto the exposed threads of the mounting strap nipple to secure the canopy against the mounting strap and junction box.
5. Install light bulbs (not provided) in accordance with the fixture's specifications. Do not exceed the maximum wattage.
6. Light bulbs must be installed into socket sleeves (F).
7. Place the metal shade (H) over the installed bulbs and onto the lamp body. Secure the shade using the provided hex nuts (G).

Your installation is now complete. Turn on the power and test the fixture.

CLEANING TIPS

Treat the fixture gently! Regular cleaning will reduce the need for deep cleaning. For regular cleaning, turn off the light and wipe down the fixture with a clean lint-free cotton or microfiber cloth. Never spray cleaner directly onto the fixture.

