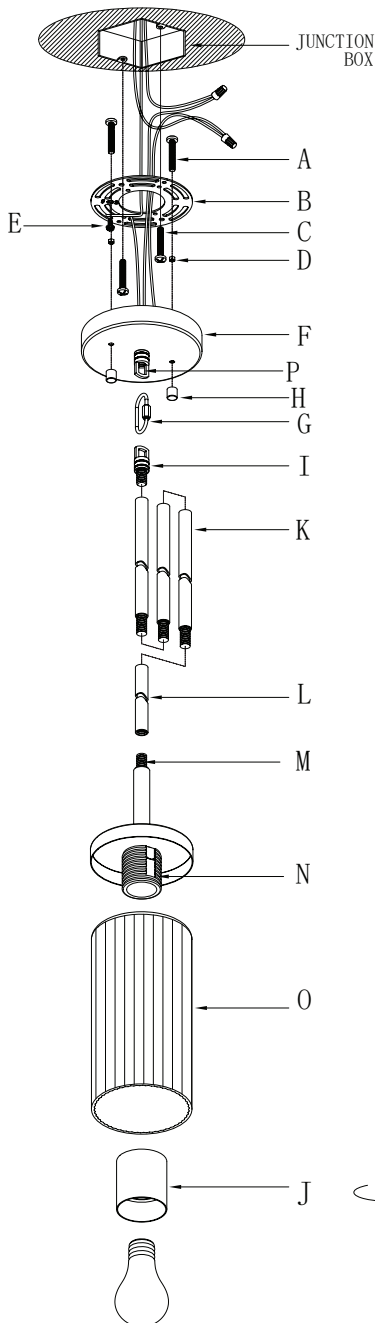


# Assembly Instructions: 7011-M1L (Winslett)

## IMPORTANT:

- ALL INSTALLATION WORK SHOULD BE DONE BY ACCREDITED PROFESSIONAL.
- SHUT OFF POWER SUPPLY AT FUSE OR CIRCUIT BREAKER!
- USE ONLY THE SPECIFIED BULBS. DO NOT EXCEED THE MAXIMUM WATTAGE!

For Customer Service, please contact the place of purchase.



## PREPARING FOR INSTALLATION

Remove all of the contents from the carton. See the important notes above. Shut off the power at the circuit breaker and completely remove the old fixture from the ceiling, including the old mounting strap.

1. Take the mounting strap assembly from the parts bag. Mounting strap (B) contains several threaded holes. Two of mounting screws (A) should be attached to mounting strap (B). You may need to tighten nuts (C) that hold these screws in place. If the screws are not attached, please hold canopy (F) up to mounting strap (B). Line up the holes in canopy (F) with the holes in mounting strap (B) and insert mounting screws (A) into mounting strap (B) so that mounting screws (A) protrude through the holes in canopy (F). Mounting screws (A) are long, so please test the canopy against the mounting strap to see how far you should insert the screws. Remove the canopy and then tighten nuts (C) onto mounting screws (A) to hold the screws in place.

2. Place mounting strap (B) over the junction box and secure in place with mounting screws (D). Tighten the screws securely with a screwdriver.

## ASSEMBLING THE FIXTURE

3. Measure to determine the correct number of rods (K and/or L) needed for proper hanging height.

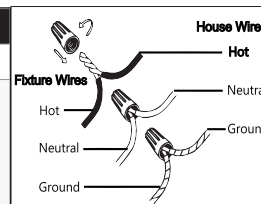
4. Thread the fixture's wires through rods (K and/or L) before threading the rods together and then onto post (M). To lengthen the fixture, add additional rods. If additional rods are needed, contact the place of purchase to order. To shorten the fixture, slide any excess rods off the fixture's wires to discard. Pull the wires through rod loop (I) and thread rod loop (I) into the top rod (K or L). Open chain connector (G) and hook the chain connector to rod loop (I) and canopy loop (P). Close chain connector (G). Pass the fixture's wires through the chain connector, canopy loop, and canopy (F). Keep at least 8 to 10 inches of wire more than the desired length and trim the excess wires.

## CONNECTING THE WIRES

5. Have an assistant support the fixture's weight while completing the wiring. Refer to the wiring diagram and attach the fixture's wires to the power supply wires from the junction box. Connect Hot to Hot (black or smooth), Neutral to Neutral (white or ribbed), and Ground to Ground (green or copper). Twist the ends of the wire pairs together, and then twist on a wire connector. Make sure all twists are in the same direction. If there is no house ground wire coming from the junction box, locate ground screw (E) on the mounting bracket/mounting strap and wrap the fixture's ground wire around the ground screw. Use a screwdriver to tighten the top of ground screw (E) onto the wires and into the mounting bracket/mounting strap. Tuck the wires into the junction box.

### How to Identify the Fixture's Wires

Hot	Neutral	Ground
Smooth	Ribbed	Bare Metal, Green, or
Black	White	Green Inner Thread
Black Inner Thread	White Inner Thread	



## FINISHING THE INSTALLATION

6. Push canopy (F) up to the ceiling and tightly thread nuts (H) onto the threads of mounting screws (A).
7. Push glass shade (O) up over the threads of socket (N).
8. Secure the glass in place by twisting socket cover (J) onto the socket.
9. Install a light bulb (not provided) based on the fixture's specifications. Do not exceed the maximum wattage.

Your installation is now complete. Turn on the power and test the fixture.

## CLEANING TIPS

Treat the fixture gently! Regular cleaning will reduce the need for deep cleaning. For regular cleaning, turn off the light and wipe down the fixture with a clean lint-free cotton or microfiber cloth. Never spray cleaner directly onto the fixture.