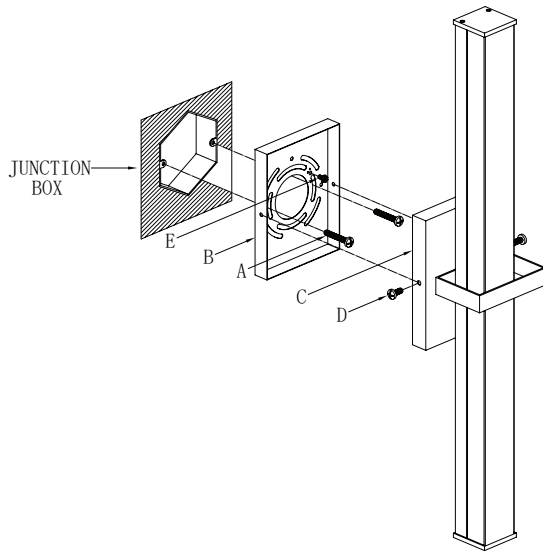


# Assembly Instructions: 5623-B19/24

## IMPORTANT:

- ALL INSTALLATION WORK SHOULD BE DONE BY ACCREDITED PROFESSIONAL.
- SHUT OFF POWER SUPPLY AT FUSE OR CIRCUIT BREAKER!
- USE ONLY THE SPECIFIED BULBS. DO NOT EXCEED THE MAXIMUM WATTAGE!

**For Customer Service, contact the place of purchase to arrange for replacement parts.**



How to Identify the Fixture's Wires		
Hot	Neutral	Ground
Smooth	Ribbed	Bare Metal, Green, or Green Inner Thread
Black	White	
Black Inner Thread	White Inner Thread	

A wiring diagram showing the connection between fixture wires and house wires. The fixture wires are labeled Hot, Neutral, and Ground. The house wires are also labeled Hot, Neutral, and Ground. The diagram shows the Hot wire connected to the Hot wire, the Neutral wire connected to the Neutral wire, and the Ground wire connected to the Ground wire. The fixture wires are shown with their respective colors and textures: Hot is smooth black, Neutral is ribbed white, and Ground is bare metal green.

## PREPARING FOR INSTALLATION

Remove all of the contents from the carton. See the important notes above. Shut off the power at the circuit breaker and completely remove the old fixture from the wall, including the old mounting strap.

1. Mounting strap (B) contains several pairs of threaded holes. Find the pair of holes that matches the spacing of the holes on the junction box and the backplate. One set of mounting screws (A) should be attached to mounting strap (B). Pull the house wires through the center of mounting strap (B). Place mounting strap (B) over the junction box so that mounting screws (A) are horizontal, and in alignment with the hole locations on backplate (C). Secure mounting strap (B) using mounting screws (A) and a screwdriver. Tighten the screws securely.

## CONNECTING THE WIRES

2. Have an assistant support the fixture's weight while completing the wiring. Refer to the wiring diagram and attach the fixture's wires to the power supply wires from the junction box. Connect Hot to Hot (transparent wire with black inner thread, black, or smooth wire) Neutral to Neutral (transparent wire with white inner thread, white, or ribbed wire), and Ground to Ground (transparent wire with green inner thread, green wire, or copper). Twist the ends of the wire pairs together, and then twist on a wire connector. Make sure all twists are in the same direction. If there is no house ground wire coming from the junction box, locate ground screw (E) on the mounting bracket/mounting strap and wrap the fixture's ground wire around the ground screw. Use a screwdriver to tighten the top of ground screw (E) onto the wires and into the mounting bracket/mounting strap. Tuck the wires into the junction box.

## FINISHING THE INSTALLATION

3. Carefully lift the fixture body and backplate (C) over the mounting strap (B) so that the holes on the side of mounting strap (B) line up with the holes on the side of backplate (C). Thread screws (D) through the holes found on backplate (C) and mounting strap (B) until the backplate is secure and snug against the mounting strap.

Your installation is now complete. Turn on the power and test the fixture.

## CLEANING TIPS

Treat the fixture gently! Regular cleaning will reduce the need for deep cleaning. For regular cleaning, turn off the light and wipe down the fixture with a clean lint-free cotton or microfiber cloth. Never spray cleaner directly onto the fixture.