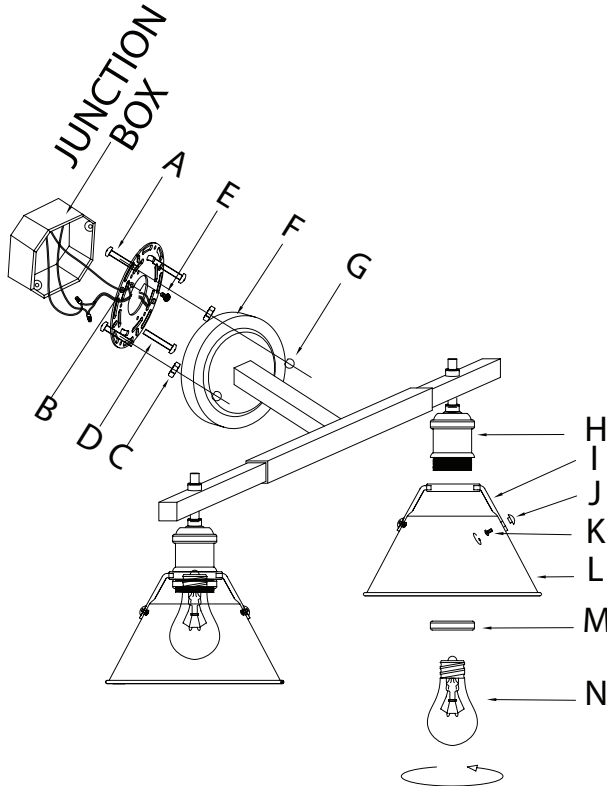


Assembly Instructions: 3306-BA2, BA3 (Orwell)

IMPORTANT:

- ALL INSTALLATION WORK SHOULD BE DONE BY ACCREDITED PROFESSIONAL.
- SHUT OFF POWER SUPPLY AT FUSE OR CIRCUIT BREAKER!
- USE ONLY THE SPECIFIED BULBS. DO NOT EXCEED THE MAXIMUM WATTAGE!

For Customer Service, contact the place of purchase.



PREPARING FOR INSTALLATION

Remove all of the contents from the carton. See the important notes above. Shut off the power at the circuit breaker and completely remove the old fixture from the wall, including the old mounting strap.

1. Mounting strap (B) contains several pairs of threaded holes. Find the pair of holes that matches the spacing of the holes on the junction box and your fixture's backplate. Two of mounting screws (A) should be attached to mounting strap (B). You may need to tighten the nuts that hold these screws in place. Pull the house wires through the center of mounting strap (B). Place mounting strap (B) over the junction box so that mounting screws (A) are horizontal, and in alignment with the hole locations on backplate (F). Secure mounting strap (B) to the junction box with mounting screws (D) and a screwdriver. Tighten the screws securely.

CONNECTING THE WIRES

2. Attach the fixture's wires to the house wires pulled earlier from the junction box. Connect Hot to Hot (this is the black wire, transparent wire with black inner thread, or smooth wire), Neutral to Neutral (the neutral wire is the white, a transparent wire with white inner thread, or the ribbed wire), and Ground to Ground (the green wire, transparent wire with green inner thread, or the copper wire). Twist the ends of each wire pair together. Secure each connection with a wire connector (usually orange). Make sure all twists are in the same direction. If there is no house ground wire coming from the junction box, please locate ground screw (E) on mounting bracket (B) and wrap the fixture's ground wire around ground screw (E). Use a screwdriver to tighten the top of ground screw (E) onto the wires and into the mounting bracket/mounting bracket. Tuck the wires into the junction box.

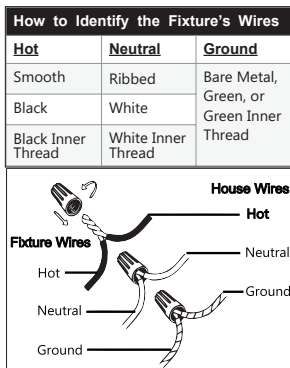
FINISHING THE INSTALLATION

3. Place backplate (F) over mounting screws (A) so that they protrude through the holes in the front of the backplate. Thread deco nuts (G) onto mounting screws (A). Twist until the backplate of the fixture is snug against the wall.

4. Secure spider (I) to shade (L) with screws (K) and decorative cap (J). Carefully slide shade (L) over socket (H) and secure the shade in place with socket ring (M).

Twist light bulbs into sockets (H) in accordance with the fixture's specifications. Do not exceed the maximum wattage.

Your installation is now complete. Turn on the power and test the fixture.



CLEANING TIPS

Treat the fixture gently! Regular cleaning will reduce the need for deep cleaning. For regular cleaning, turn off the light and wipe down the fixture with a clean lint-free cotton or microfiber cloth. Never spray cleaner directly onto the fixture.