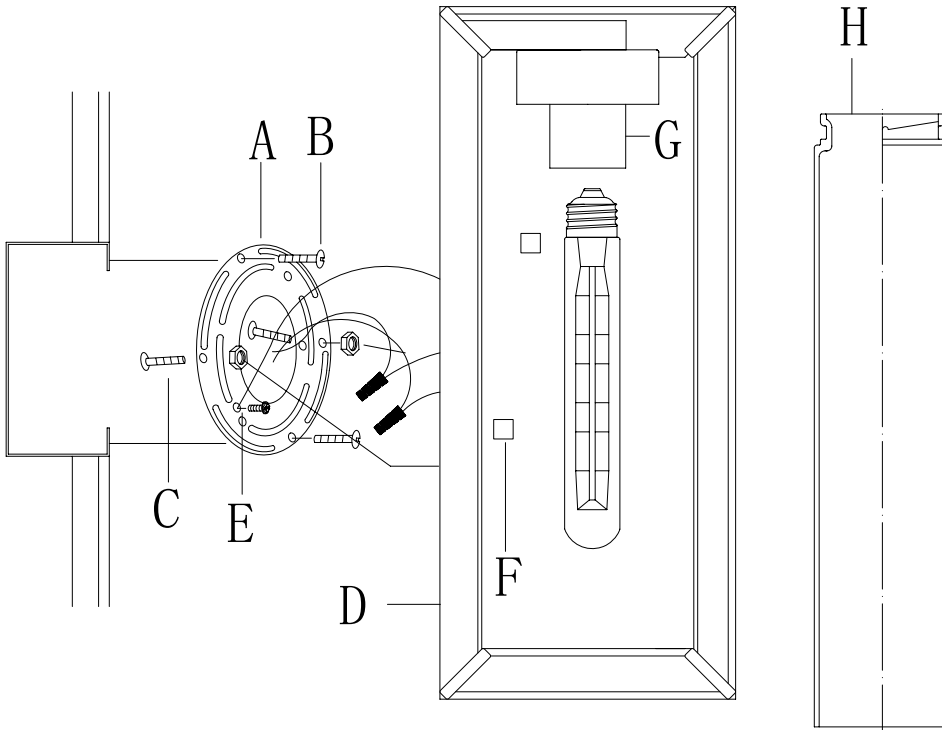


Assembly Instructions: 2073-OWM

IMPORTANT:

- ALL INSTALLATION WORK SHOULD BE DONE BY ACCREDITED PROFESSIONAL.
- SHUT OFF POWER SUPPLY AT FUSE OR CIRCUIT BREAKER!
- USE ONLY THE SPECIFIED BULBS. DO NOT EXCEED THE MAXIMUM WATTAGE!

For Customer Service, contact the place of purchase to arrange for replacement parts.



PREPARING FOR INSTALLATION

Remove all of the contents from the carton. See the important notes above. Shut off the power at the circuit breaker and completely remove the old fixture from the wall, including the old mounting strap.

1. Mounting strap (A) contains several pairs of threaded holes. Hold backplate (D) up to mounting strap (A). Line up the holes in backplate (D) with the holes in mounting strap (A) and insert mounting screws (C) into the mounting strap (A) so that mounting screws (C) protrude through the holes in backplate (D). Mounting screws (C) are long, so please test the backplate against the mounting strap to see how far you should insert the screws. Use nuts to secure the mounting screws (C) in place. Remove the backplate (D) and set aside for later.
2. Place mounting strap (A) over the junction box and secure in place with mounting screws (B). Tighten the screws securely with a screwdriver. Pull the house wires through the center of mounting strap (A).

CONNECTING THE WIRES

3. Have an assistant support the fixture's weight while completing the wiring. Refer to the wiring diagram and attach the fixture's wires to the power supply wires from the junction box. Connect Hot to Hot (transparent wire with black inner thread, black, or smooth wire) Neutral to Neutral (transparent wire with white inner thread, white, or ribbed wire), and Ground to Ground (transparent wire with green inner thread, green wire, or copper). Twist the ends of the wire pairs together, and then twist on a wire connector. Make sure all twists are in the same direction. If there is no house ground wire coming from the junction box, locate ground screw (E) on the mounting bracket/mounting strap and wrap the fixture's ground wire around the ground screw. Use a screwdriver to tighten the top of ground screw (E) onto the wires and into the mounting bracket/mounting strap. Tuck the wires into the junction box.

How to Identify the Fixture's Wires

Hot	Neutral	Ground
Smooth	Ribbed	Bare Metal, Green, or Green Inner Thread
Black	White	
Black Inner Thread	White Inner Thread	

FINISHING THE INSTALLATION

4. Place the fixture's backplate (D) over mounting screws (C) so that the screw threads protrude through the holes in the front of the backplate. Place washers over the exposed screw threads and twist deco nuts (F) onto the exposed threads of mounting screws (C). Twist until the backplate of the fixture is snug against the wall.
5. Install a light bulb (not included) into socket (G) within the fixture in accordance with the fixture's specifications. Do not exceed the maximum recommended wattage.
6. Slide glass shade (H) over the bulb and socket (G). Once over the socket, twist the glass shade (H) into the fixture to secure. After installing the fixture, apply a clear silicone rubber caulking to seal the gap between enclosure and mounting surface. Leave a gap unsealed for drainage of any water that might leak into the enclosure in bottom.

Your installation is now complete. Turn on the power and test the fixture.

CLEANING TIPS

Treat the fixture gently! Regular cleaning will reduce the need for deep cleaning. For regular cleaning, turn off the light and wipe down the fixture with a clean lint-free cotton or microfiber cloth. Never spray cleaner directly onto the fixture.