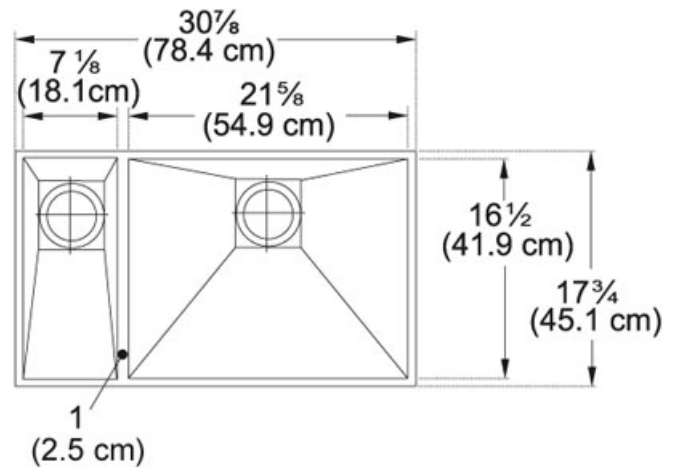
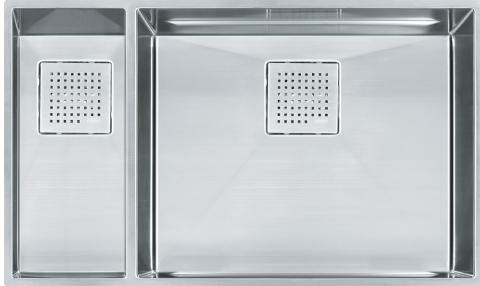


Peak PKX160LH Stainless Steel | 122.0074.965

FAMILY : Sinks | SERIE : Peak | MODEL : PKX160LH | FINISH : Stainless Steel | INSTALLATION TYPE : Undermount



TECHNICAL DATA

Minimum Cabinet Size	914.4 mm
Drain Opening	3 1/2"
Length overall	784.2-MM
Width overall	450.9-MM
Length of large bowl	549.3 mm
Width of large bowl	419.1-MM
Depth of large bowl	244.5-MM
Length of small bowl	7 1/8"
Width of small bowl	16 1/2"
Depth of small bowl	7 1/8"
Number of Bowls	2
Cutout Length	755 mm
Cutout Width	420 mm
Type of Material	16 Gauge Stainless Steel
Cut-Out Template	Yes
Installation Clips	Yes

Peak PKX160LH Stainless Steel | 122.0074.965

FAMILY : Sinks | SERIE : Peak | MODEL : PKX160LH | FINISH : Stainless Steel | INSTALLATION TYPE : Undermount

RELATED PARTS



119.0066.616



133.0171.120



119.0197.313



115.0251.992



134.0297.202



120.0296.741