

**WARNING:** DISCONNECT POWER AT THE MAIN FUSE BOX BEFORE INSTALLATION.

**WARNING:**

This fixture is intended for installation in accordance with the National Electrical Code (NEC) and all local code specifications. If you are not familiar with code requirements, installation by a certified electrician is recommended.

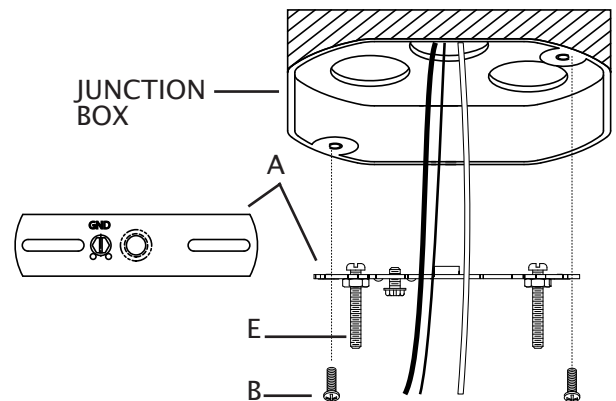
Before assembly, remove all parts and part packages from box. If anything is missing, please contact the retailer from which the product was purchased.



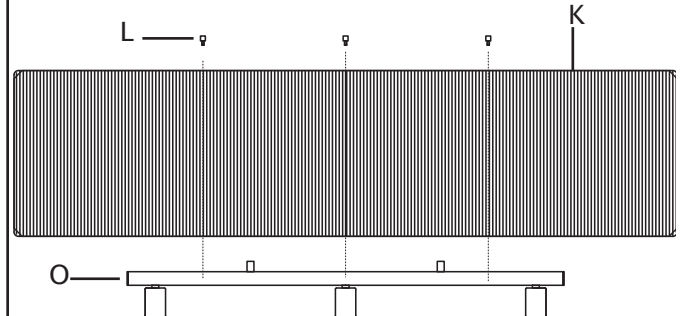
ANY QUESTIONS CALL: 800-613-3261  
M-F 8:00AM-6:00PM ET

ITEM#: 52267/3

- Carefully pull house wires out of junction box so they are easily accessible during installation.
- Position mounting bracket (A) so threaded ends of attached fixture mounting screws (E) are facing down towards floor.
- Thread each junction box screw (B) into holes in mounting bracket (A) and into holes in junction box. Tighten junction box screws (B) to secure mounting bracket (A) to junction box. **CAUTION:** Make sure house wires are pulled completely through hole in mounting bracket. **DO NOT** pinch wires between mounting bracket and ceiling.

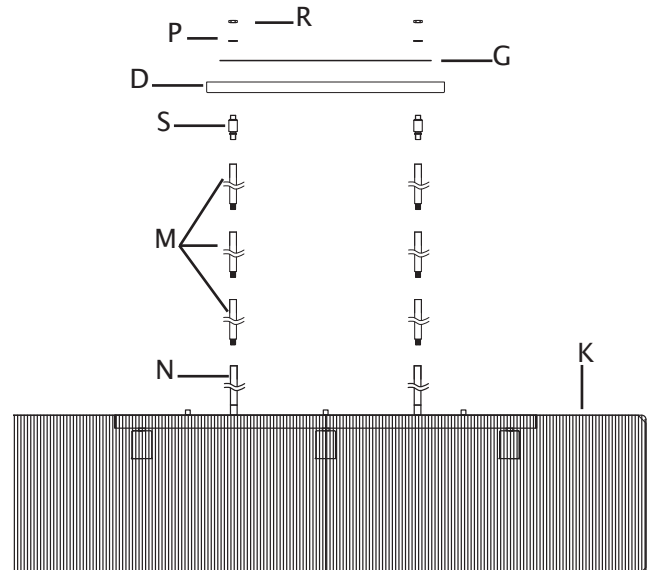


- Lower shade (K) down over fixture body (O). Align holes in top of fixture body (O) with holes in bracket on shade (K). Screw one thumbscrew (L) down into each hole in bracket and into holes in top of fixture body (O). Tighten thumbscrews (L) to secure fixture body (O) to shade (K).

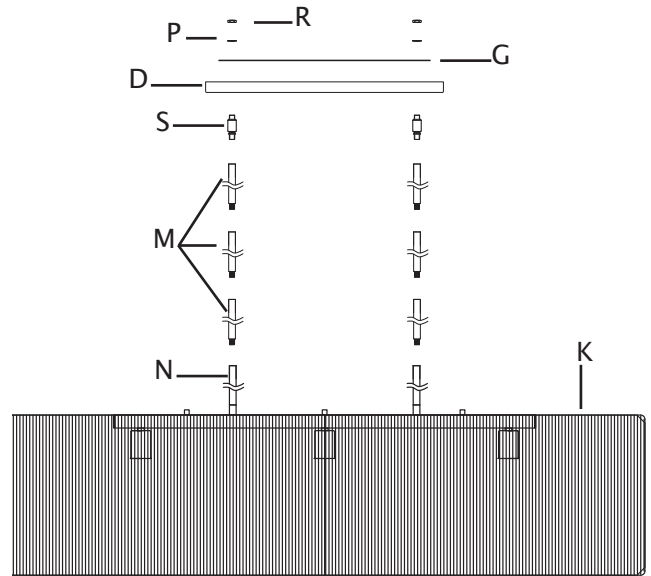


**IMPORTANT:** At least one 6 inch stem (N) must be used.

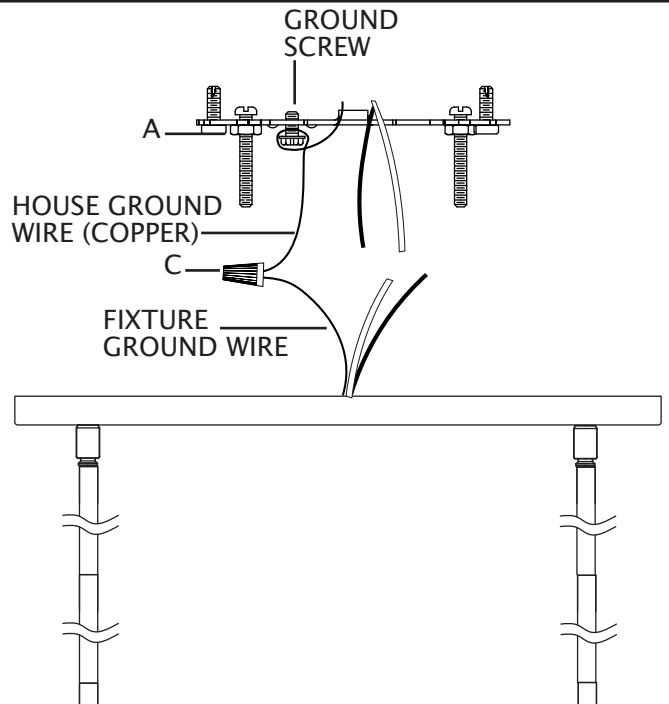
- Carefully push fixture wires up through bottom of 6 inch stem (N). Pull fixture wires out of top of 6 inch stem (N). Screw bottom of 6 inch stem (N) onto top of fixture body (O).
- On other side of fixture, screw bottom of 6 inch stem (N) onto top of fixture body (O).
- Determine desired hanging height of fixture. Select the quantity of stems (M, 12 inch) to achieve that height.
- Carefully push fixture wires through remaining stems (M). Thread stems (M) together carefully keeping fixture wires taut. **DO NOT** pinch fixture wires between stems.
- On side of stem without wires, thread the remaining stems (M) to top of stem (N). Ensure the same number of stems is used on each side.



10. From last stem (M/N), push fixture wires up through swivel (S). Thread swivel (S) onto top of last stem.
11. On other side of fixture, thread swivel (S) onto top of last stem.
12. Slip fixture wires through hole in canopy (D). Pass holes in canopy down over tops of swivels (S).
13. Pass fixture wires through hole in plate (G). Slip holes in plate (G) over ends of swivels (S) protruding from inside canopy (D).
14. Pass fixture wires through hole in lockwasher (P) then hex nut (R). Slip lockwasher (P) over end of swivel. Thread hex nut (R) onto end of swivel.
15. On other side of swivel (S), slip lockwasher (P) over end of swivel. Thread hex nut (R) onto swivel. Tighten hex nuts (R) on each side of fixture to secure canopy (D) in place. DO NOT over tighten.



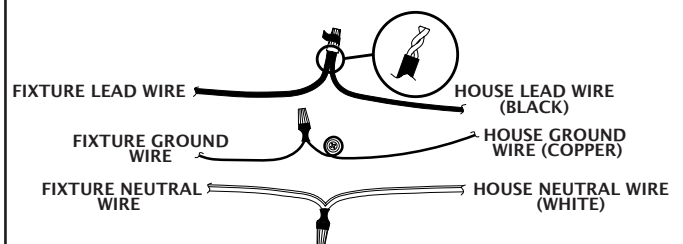
16. Strip 3/4" of insulation from ends of fixture wires.
17. Slightly loosen ground screw on mounting bracket (A). Do not completely remove ground screw. Wrap house ground wire (copper) around ground screw, leaving enough ground wire to attach to fixture ground wire. Twist end of fixture ground wire and end of house ground wire together. Twist wire nut (C) onto ends of wires. Completely tighten wire nut (C). Reference chart below for correct wire connections.



Connect Supply (House) Ground Copper Wire to:
Bare Copper Wire or,
Bare Silver Wire or,
Green Insulated Wire.

18. Twist end of house lead wire (black) and end of fixture lead wire together. Twist wire nut (C) onto ends of wires. Completely tighten wire nut (C). Twist end of house neutral wire (white) and end of fixture neutral wire together. Twist wire nut (C) onto ends of wires. Completely tighten wire nut (C). Reference chart to the right for correct wire connections.
19. Wrap electrical tape (not included) around wire nuts (C) and wires. Ensure wires are securely fastened into wire nuts.
20. Carefully push all wires and wire nuts into junction box.

Connect Black Lead Supply (House) Wire to:	Connect White Neutral Supply (House) Wire to:
Black Wire or,	White Wire or,
*Parallel Cord (Round and Smooth) or,	*Parallel Cord (Square and Ridged) or,
No printed words on wire insulation or,	Printed words on wire insulation or,
Insulated Wire (other than green) with Copper Conductor.	Insulated Wire (other than green) with Silver Conductor.
*When parallel wire (SPT 1 & SPT 2) is used: The lead wire is round in shape or smooth. The neutral wire is square in shape or ridged.	



21. Carefully raise fixture up to ceiling. Place canopy (D) of fixture over mounting bracket (A). Pass holes in canopy (D) over ends of fixture mounting screws (E).
22. Screw one threaded cap (F) onto end of each fixture mounting screw (E). Tighten threaded caps (F) to secure fixture to ceiling. DO NOT over tighten.
23. Screw recommended bulbs (E26 Edison bulb type, not included) into sockets. Verify correct bulb wattage marked on socket of fixture. **WARNING: DO NOT** exceed maximum bulb wattage.

