

PRODUCT SPECIFICATIONS

Elkay 8" Centerset Exposed Deck Mount Faucet with Arc Spout and 2-5/8" Lever Handles with Side Spray Chrome. Faucet has a flow rate of 1.5 GPM, and is made of Chrome-plated Brass material, with a Quarter Turn Ceramic Disc valve. Faucet requires 4 faucet holes.

| | |
|--------------------------------|---------------------------|
| Mounting Type: | Deck Mount |
| Special Features: | Low Flow |
| Spray Type: | Side |
| Finish: | Chrome (CR) |
| Handle Type: | 2.6" Lever Handle |
| Deck Clearance: | 10" |
| Spout Reach: | 8" |
| Spout Height: | 12-1/8" |
| Hole Drillings: | 4 |
| Material: | Chrome-plated Brass |
| Valve Type: | Quarter Turn Ceramic Disc |
| Valve Connection: | 1/2"-14 NPSM |
| Flow Rate: | 1.5 GPM |
| Faucet Hole Size (min): | 1-1/4" |
| Faucet Hole Spread: | 4 |
| Countertop Thickness: | 1-1/8" |
| Spout Swing Rotation: | 360° |
| Spout Type: | Arc Tube |

Special Note: All operating parts are replaceable from above deck



Chrome
(CR)



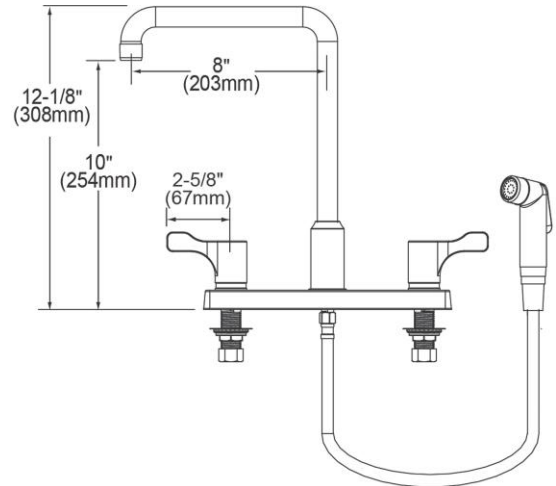
Included with Product: Retractable Spray and Hose

AMERICAN PRIDE. A LIFETIME TRADITION.
Like your family, the Elkay family has values and traditions that endure. For almost a century, Elkay has been a family-owned and operated company, providing thousands of jobs that support our families and communities.

Product Compliance: ADA & ICC A117.1
ASME A112.18.1/CSA B125.1
NSF 61
NSF 372 (lead free)



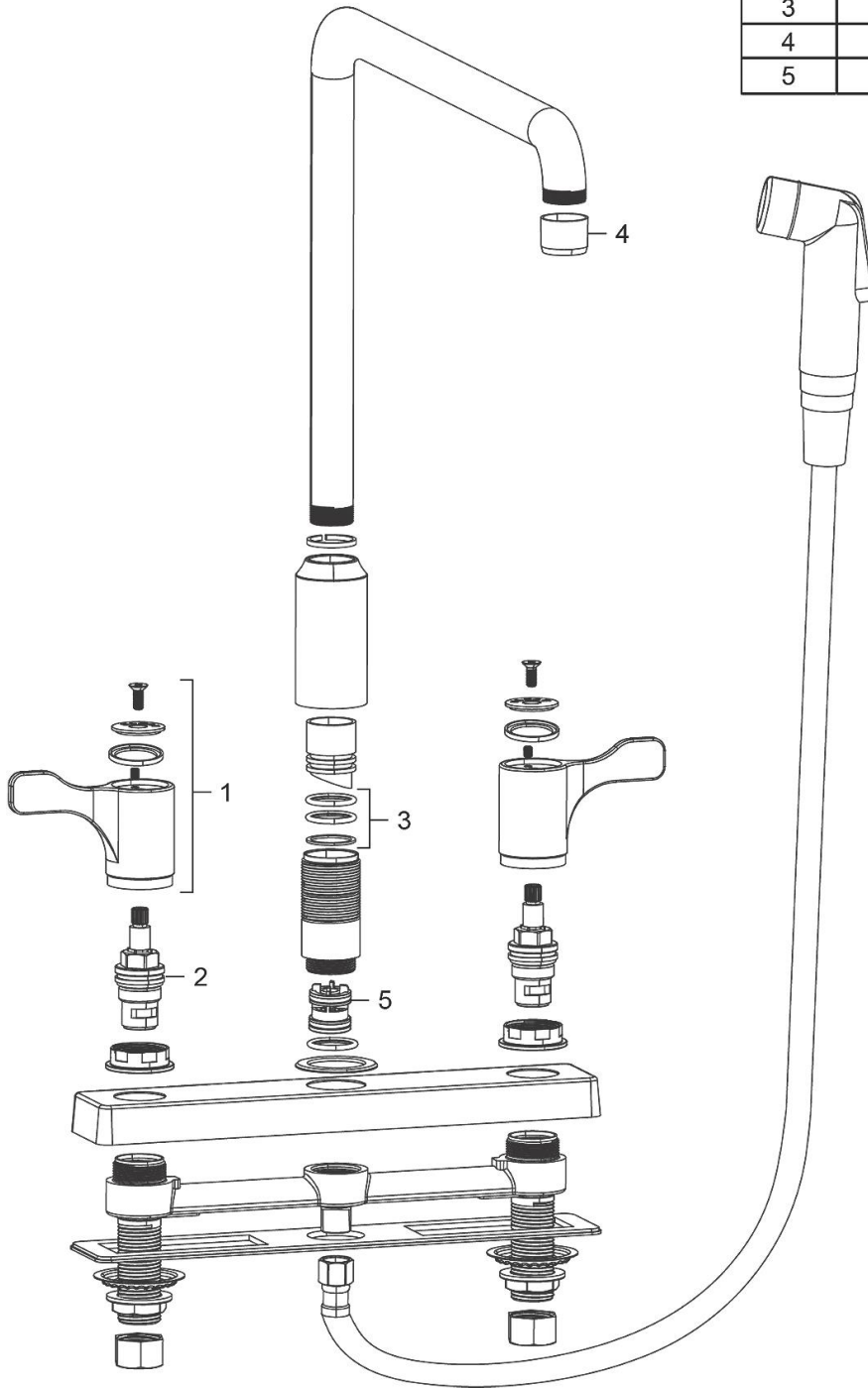
[Clean and Care Manual \(PDF\)](#)
[Installation Instructions \(PDF\)](#)
[Warranty \(PDF\)](#)



PART: _____ QTY: _____
PROJECT: _____
CONTACT: _____
DATE: _____
NOTES: _____
APPROVAL: _____

In keeping with our policy of continuing product improvement, Elkay reserves the right to change product specifications without notice. Please visit elkay.com for the most current version of Elkay product specification sheets. This specification describes an Elkay product with design, quality, and functional benefits to the user. When making a comparison of other producers' offerings, be certain these features are not overlooked.

| ITEM | PART # | DESCRIPTION |
|------|------------|-----------------------------|
| 1 | 0000000680 | 2.6" Blade Handle |
| 2 | 0000000682 | Cartridges |
| 3 | 0000000686 | 360° Swing Spout Repair Kit |
| 4 | 0000000688 | Aerator |
| 5 | 0000000689 | Diverter Valve |



In keeping with our policy of continuing product improvement, Elkay reserves the right to change product specifications without notice. Please visit elkay.com for the most current version of Elkay product specification sheets. This specification describes an Elkay product with design, quality, and functional benefits to the user. When making a comparison of other producers' offerings, be certain these features are not overlooked.