

### PRODUCT SPECIFICATIONS

Elkay Circuit Chef Workstation Stainless Steel, 45-1/2" x 20-1/2" x 10" Single Bowl Undermount Sink Kit with Cherry Wood Boards. Sink is manufactured from 16 gauge 304 Stainless Steel with a Lustrous Satin finish, Rear Right drain placement, and Full spray sides and bottom.

|                              |                             |
|------------------------------|-----------------------------|
| <b>Material:</b>             | 304 Stainless Steel         |
| <b>Special Features:</b>     | Workstation                 |
| <b>Finish:</b>               | Lustrous Satin              |
| <b>Gauge:</b>                | 16                          |
| <b>Sound Deadening:</b>      | Full spray sides and bottom |
| <b>Number of Bowls:</b>      | 1                           |
| <b>Sink Dimensions:</b>      | 45-1/2" x 20-1/2" x 10"     |
| <b>Bowl 1 Dimensions:</b>    | 43" x 18" x 10"             |
| <b>Drain Size:</b>           | 3-1/2" (89mm)               |
| <b>Drain Location:</b>       | Rear Right                  |
| <b>Minimum Cabinet Size:</b> | 48"                         |
| <b>Mounting Hardware:</b>    | No                          |
| <b>Template Included:</b>    | No                          |
| <b>Cutout Template #:</b>    | <a href="#">1000005504</a>  |

Template is available for download at [elkay.com](#). CAD software will be required to open the template.

**Special Note:** This model requires a 1/2" reveal in order for the cutting board to sit flush with the countertop.

|   |  |
|---|--|
| <b>Custom Options</b>                             |  |
| <input type="checkbox"/> Type 316 Stainless Steel |  |
| <b>Drain Location</b>                             |  |
| <input type="checkbox"/> Right Rear               | <input type="checkbox"/> Left Rear         |
| <input type="checkbox"/> Center                   | <input type="checkbox"/> Center Rear       |
| <b>Overflow Location</b>                          |  |
| <input type="checkbox"/> Front                    | <input type="checkbox"/> Rear              |
| <b>Alternate Punching</b>                         |  |
| <input type="checkbox"/> Faucet Model:            | <input type="checkbox"/> Punch Required:   |
| <b>Sink Size</b>                                  |  |
| <input type="checkbox"/> Bowl Depth:              | <input type="checkbox"/> Drainboard Width: |



**Included with Product:** CS3045SC Small Colander, CS45BG Bottom Grid, CS45CW Cherry Wood Cutting Boards, CSLPC Low Profile Colander

AMERICAN PRIDE. A LIFETIME TRADITION.

Like your family, the Elkay family has values and traditions that endure. For almost a century, Elkay has been a family-owned and operated company, providing thousands of jobs that support our families and communities.



**Product Compliance:** ASME A112.19.3/CSA B45.4  
Buy American Act

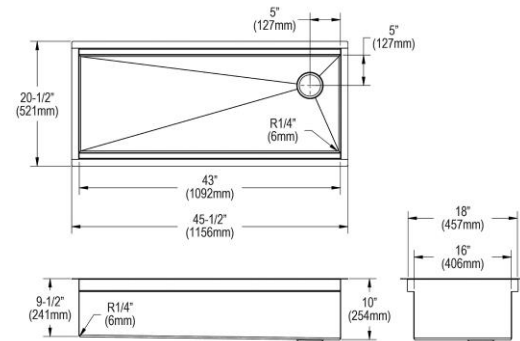


Sinks are listed by IAPMO<sup>®</sup> as meeting the applicable requirements of the Uniform Plumbing Code<sup>®</sup>, International Plumbing Code<sup>®</sup>, and National Plumbing Code of Canada.

[Clean and Care Manual \(PDF\)](#)

[Installation Instructions \(PDF\)](#)

[Warranty \(PDF\)](#)



PART: \_\_\_\_\_ QTY: \_\_\_\_\_

PROJECT: \_\_\_\_\_

CONTACT: \_\_\_\_\_

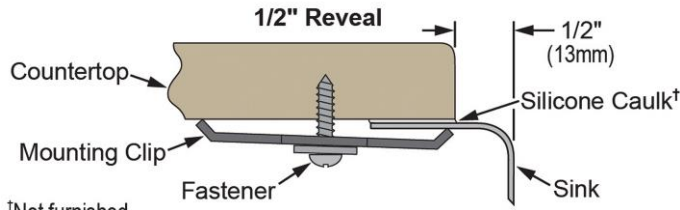
DATE: \_\_\_\_\_

NOTES: \_\_\_\_\_

APPROVAL: \_\_\_\_\_

In keeping with our policy of continuing product improvement, Elkay reserves the right to change product specifications without notice. Please visit [elkay.com](#) for the most current version of Elkay product specification sheets. This specification describes an Elkay product with design, quality, and functional benefits to the user. When making a comparison of other producers' offerings, be certain these features are not overlooked.

**Installation Profile:**



†Not furnished  
Designed to affix to the underside of any solid surface countertop.

*In keeping with our policy of continuing product improvement, Elkay reserves the right to change product specifications without notice. Please visit [elkay.com](http://elkay.com) for the most current version of Elkay product specification sheets. This specification describes an Elkay product with design, quality, and functional benefits to the user. When making a comparison of other producers' offerings, be certain these features are not overlooked.*