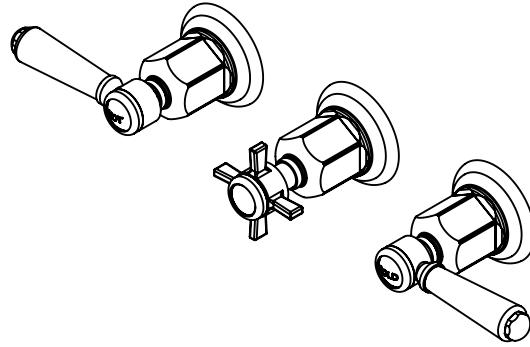




Features

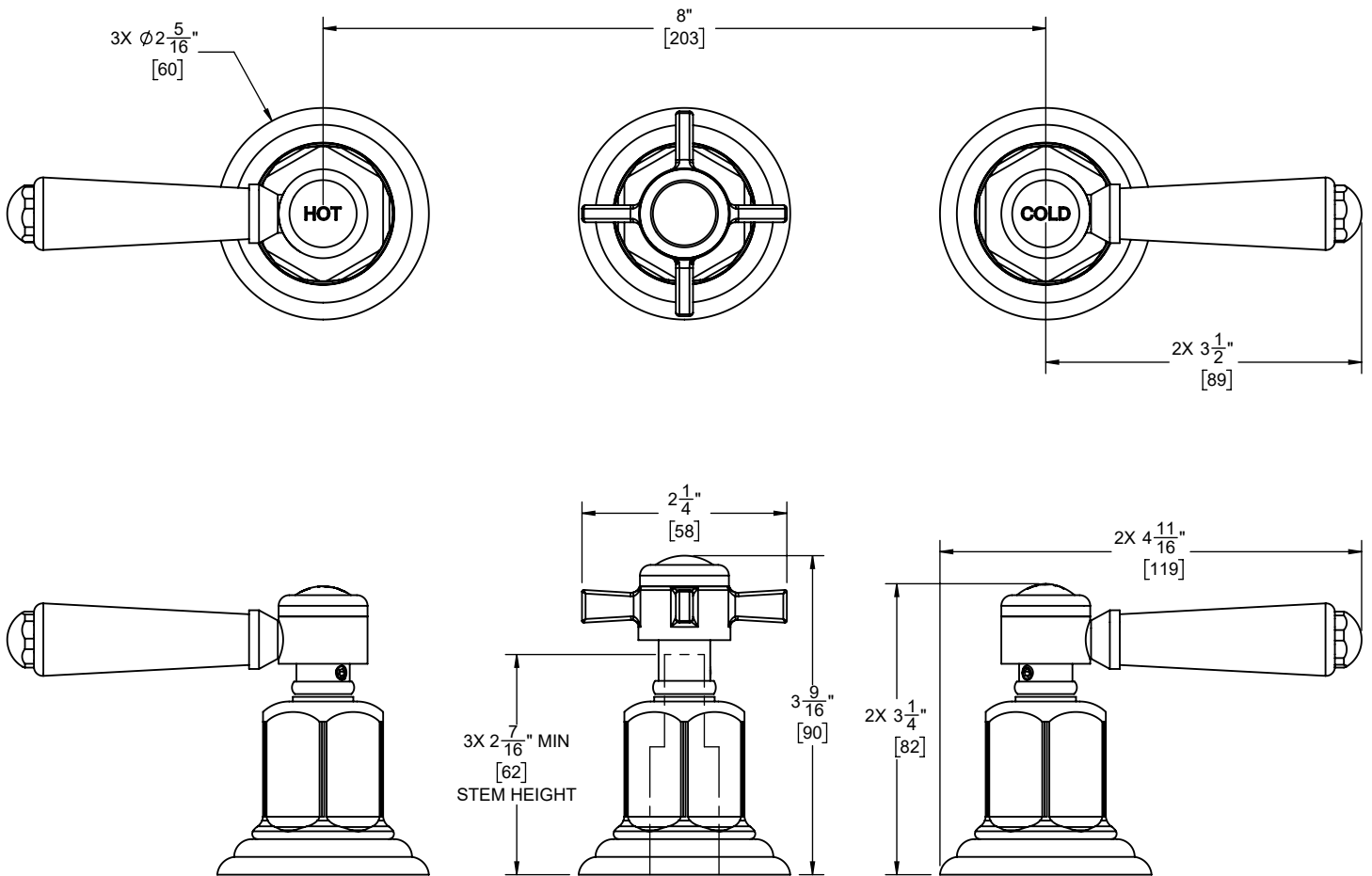
- Available in 28 finishes including 13 PVD finishes
- All brass construction
- Less head, arm, flange, and spout
- Requires rough valve: 3-VR (sold separately)



Codes/Standards Applicable

Product meets or exceeds the following:

- ASME A112.18.1/CSA B125.1



THROUGH-HOLE SPECIFICATIONS

MIN	RECOMMENDED	MAX
$\phi 1"$ [25]	$\phi 1-3/8"$ [35]	$\phi 1-1/2"$ [38]

DIMENSIONS SHOWN TO NEAREST 1/16"
[DIMENSIONS SHOWN TO NEAREST 1mm]