



California Faucets®

CHRISTOPHERGRUBB Collection

# Trousdale™

## 4-1/8" Multi-Function Handshower

### Features

- Available in 28 finishes including 13 PVD finishes
- All brass construction
- 3 function handshower: rain, air, & massage
- Self cleaning rubber jets, gray face
- 1/2" MIP inlet
- Replace .FR with desired max flow rate:
  - HS-093.18 for 1.8 gpm
  - HS-093.20 for 2.0 gpm
  - HS-093.25 for 2.5 gpm

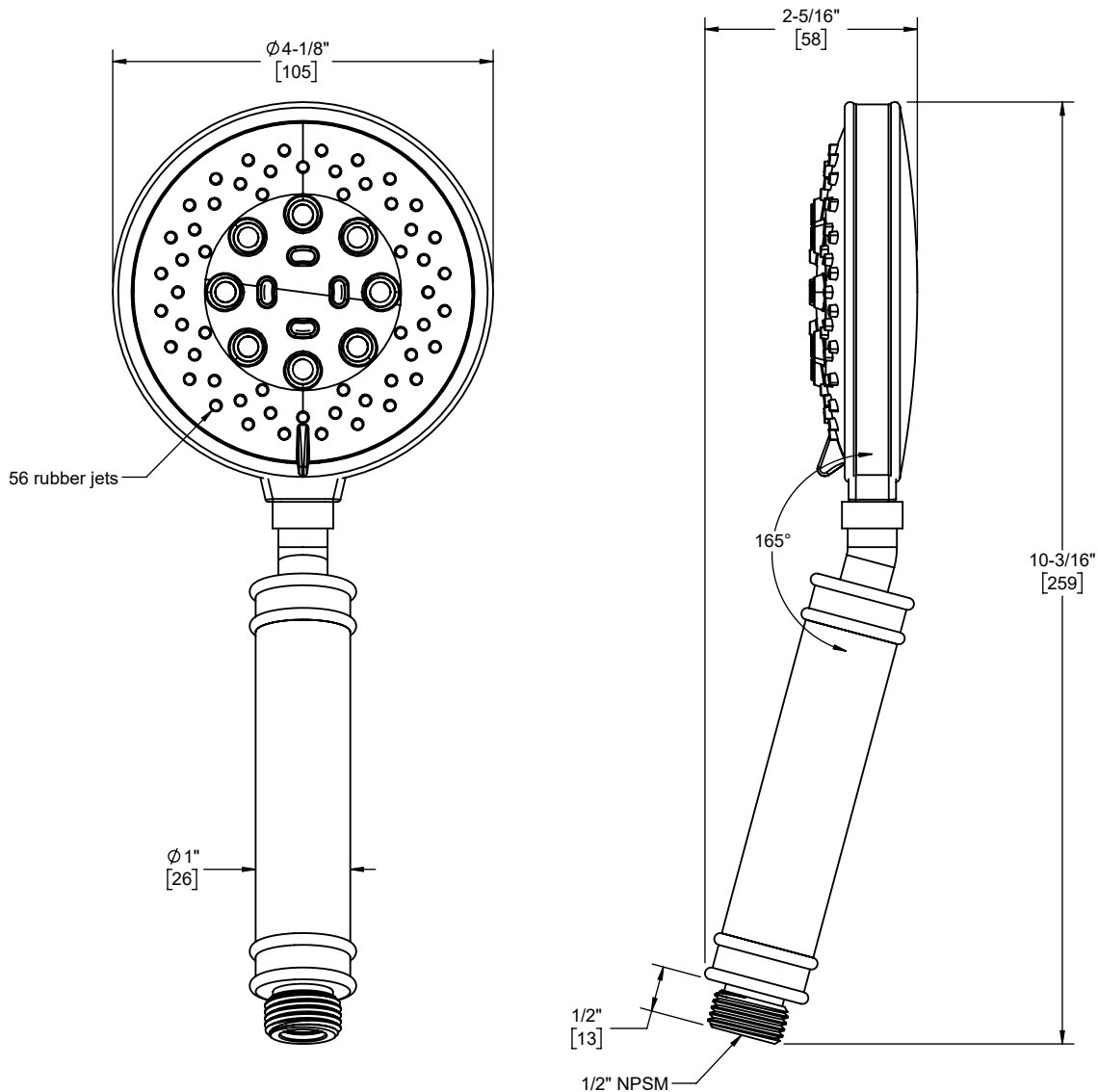
HS-093.18  
HS-093.20  
HS-093.25



### Codes/Standards

Product meets or exceeds the following:

- ASME A112.18.1/CSA B125.1
- CEC (1.8 gpm)
- DOE (1.8, 2.0, & 2.5 gpm)
- Commonwealth of MA
- EPA WaterSense (2.0 gpm)



Specifications subject to change without notice

Dimensions are inches, rounded to 1/16"  
[Dimensions in brackets are mm, rounded to 1mm]