

BRIZO®

KITCHEN FAUCETS

- Tulham™ Kitchen Collection
- Two Handle Widespread Bridge


STANDARD SPECIFICATIONS:

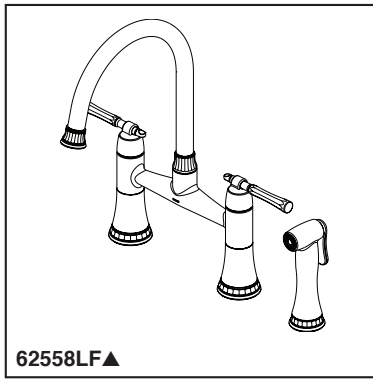
- Max flow rate 1.8 gpm @ 60 PSI, 6.8 L/Min @ 414 kPa
- Two or three hole mount. Additional hole cover available for 4 hole installation
- Ceramic cartridges
- Spout rotates 360°
- Solid brass with one-piece cast brass waterway
- Lever handles

WARRANTY

- Parts and Finish - Lifetime limited warranty; or for commercial purchasers, 10 years for multi-family residential (apartments and condominiums) and 5 years for all other commercial uses, in each case from the date of purchase.
- Electronic Parts and Batteries (if applicable) - 5 years from the date of purchase; or for commercial purchasers, 1 year from the date of purchase. No warranty is provided on batteries.

COMPLIES WITH:

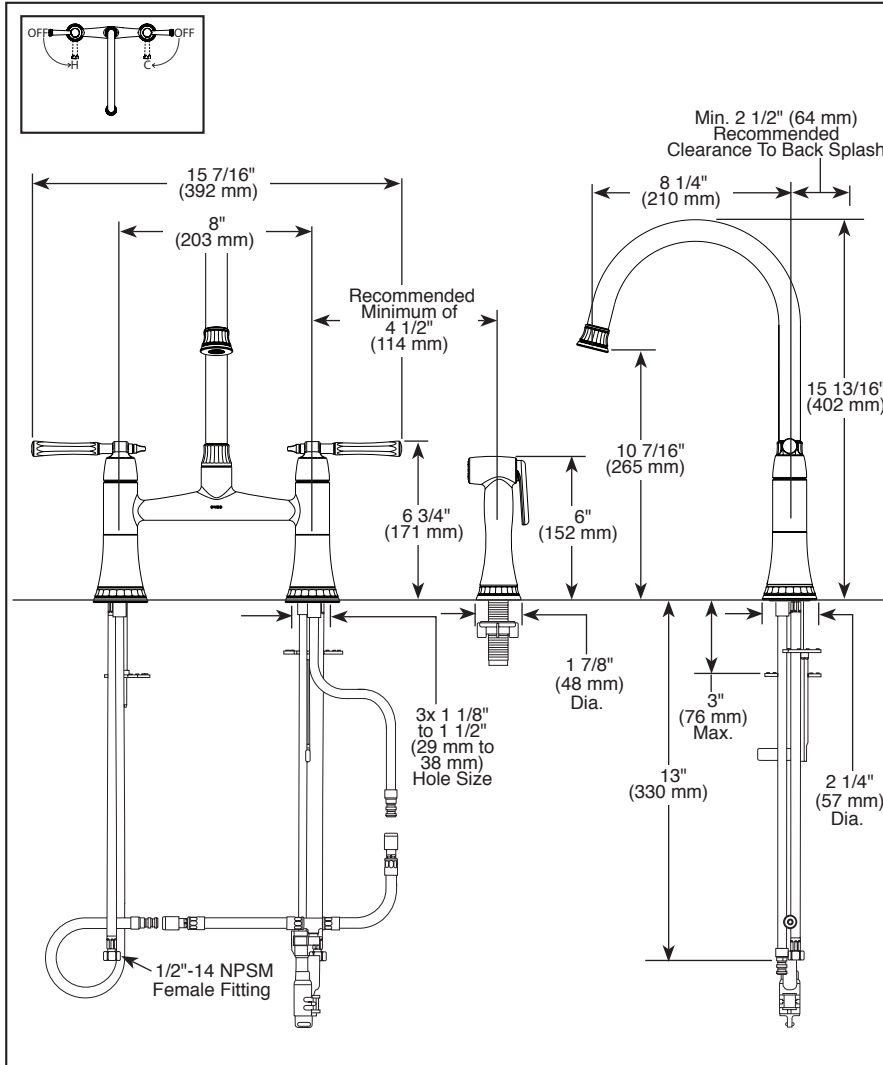
- ASME A112.18.1 / CSA B125.1
-  Indicates compliance to ICC/ANSI A117.1 - Valve control only
- Verified compliant with .25% weighted average Pb content regulations.



62558LF▲

Submitted Model No.: _____

Specific Features: _____



▲ Designate Proper Finish Suffix



RP90934▲

Models compatible with optional hole cover (not included)