

14" UTILITY SINK

Cat. No.
LS360



W; 14- $\frac{1}{8}$ "
D: 11"
H" 6"

Interior Dimensions:

Basin interior: 11" x 7- $\frac{7}{8}$ "
Basn depth: 5- $\frac{1}{4}$ "

Features:

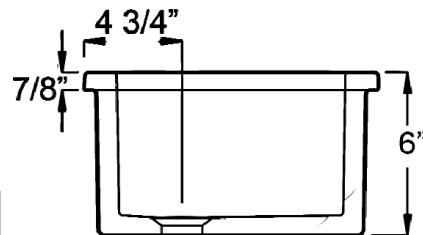
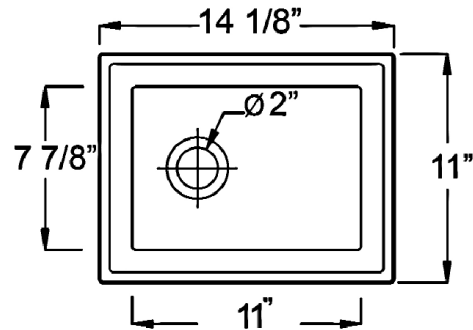
- ▶ Made of fine fire clay for durability
- ▶ Glazed inside and out on all sides
- ▶ Commercial grade
- ▶ Can be used as Undercounter or Drop-In
- ▶ Use UMSPT supports for undercounter installation
- ▶ Use with any 2" drain or basket strainer

Colors:

WH White

Compliance Certification

Meets or exceeds the following specifications: ASME A112.19.2 2013 and CSA B45.1-08 for Fire Clay fixtures.



Dimensions of fixture are nominal and may vary within the range of tolerances established by ANSI Standard A112.19.2.2013 Dimensions and specifications subject to change without notice.