

# 36" BREMEN SINGLE BOWL FARMER SINK

Cat. No  
FSSSB2039-SS



W: 36"  
D: 20-<sup>3</sup>/<sub>4</sub>"  
H: 10"

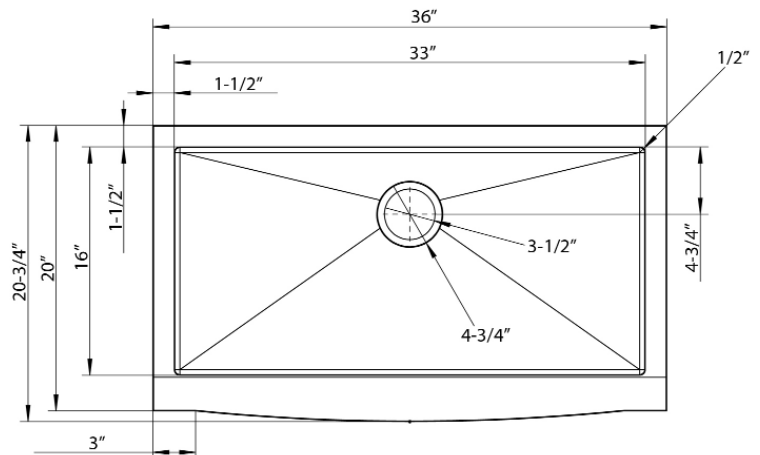
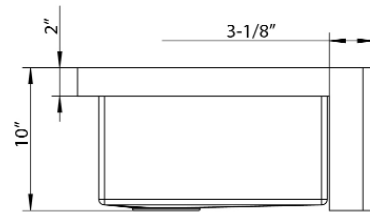
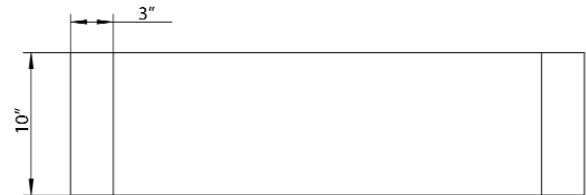
**\*Please do NOT cut hole without template or actual product.**

### Interior Dimensions:

Basin Interior: 33" W x 16" D  
Basin Depth: 9-<sup>1</sup>/<sub>2</sub>"

### Features:

- ▶ Solid 16 gauge, 304 grade metal construction
- ▶ Tight radius corners
- ▶ Easy maintenance with matte finish
- ▶ Template included
- ▶ Insulated for sound reduction
- ▶ Rim width is 1-<sup>1</sup>/<sub>2</sub>"
- ▶ Accomodates 3-<sup>1</sup>/<sub>2</sub>" drain
- ▶ Wire grid available to purchase separately, **FSSSB2039-Wire**



Dimensions of fixture are nominal and may vary within the range of tolerances established by ANSI Standard A112.19.2. Dimensions and specifications subject to change without notice.