

**BALLARD  
57" CAST IRON  
ROLL TOP TUB**

Cat. No.  
CTRN58



L: 57"  
W: 30-1/2"  
H: 22-3/4" (from floor to top of tub)

Depth: 12-1/2" to overflow

**The following is recommended for CTRN58 tubs without faucet holes:**

- Faucets: part #4602
- Rigid, freestanding supplies: Part #4502
- Leg tub drain: part #5599

Gallon Capacity:	34
Shipping Weight:	356 lbs.
Empty Weight:	246 lbs.
Filled Weight:	530 lbs.

**Features:**

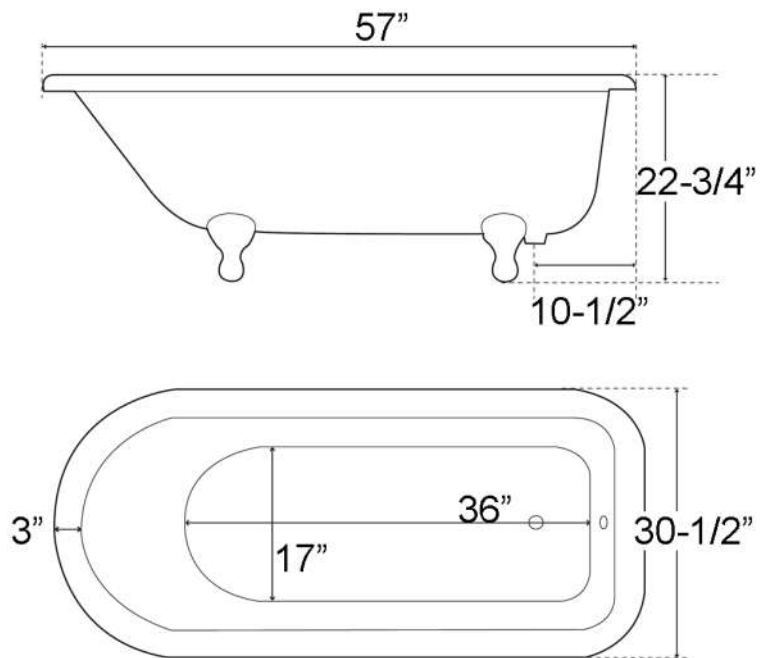
- ▶ Inside finish is white enamel
- ▶ Tub exterior is white (epoxy)
- ▶ No faucet holes
- ▶ Pre-drilled overflow hole
- ▶ Feet are attached and leveled before shipment
- ▶ Cast Iron ball and claw feet available in 5 finishes
- ▶ Tub is thoroughly inspected before shipment

**Foot Finishes:**

- BP** Polished Brass
- CP** Polished Chrome
- SN** Brushed Nickel
- WH** White
- ORB** Oil-rubbed Bronze



**Custom Colors Available** (inside of tub is always white enamel):  
Painted bathtubs are considered "special order" and are not returnable  
\$160 Bisque or Black \$250 Designer Color



Dimensions of fixture are nominal and may vary within the range of tolerances established by ANSI Standard A112.19.2. Dimensions and specifications subject to change without notice.