



Submittal Sheet

Aquatic products may be specified as Lasco Bathware.

4836BFS

CUSTOMER: _____
 JOB NAME: _____
 PO #: _____
 QUOTE #: _____ QUANTITY: _____
 SHIP TO: _____

_____/_____/_____
 PLUMBING CONTRACTOR APPROVAL DATE
 ____/____/_____
 GENERAL CONTRACTOR APPROVAL DATE
 ____/____/_____
 ENGINEER APPROVAL DATE
 ____/____/_____
 ARCHITECT APPROVAL DATE

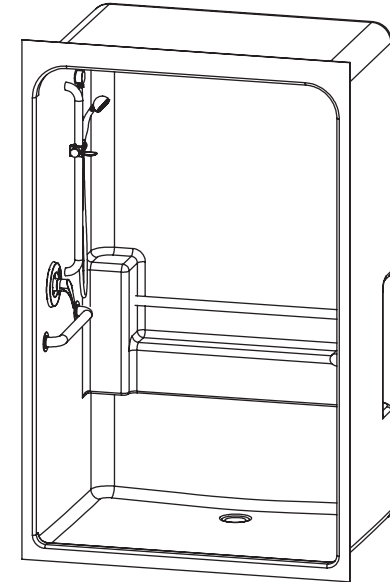
STANDARD FEATURES

- Lustrous, durable, easy-to-clean Lucite® cast acrylic
- Integral dome
- Built-in soap shelves in each rear corner
- Integral toiletry shelves
- Center rear drain location
- Slip resistant, textured bottom [ASTM F-462]

RECOMMENDED ACCESSORIES

- Fixture wall LH RH
 Grab bars: [2] 24", [1] 40 "
 Stainless steel (1 1/2" dia.) Powder-coated white (1 1/4" dia.)
 Molded transfer seat LH RH
 Rectangular white-cushioned seat LH RH
 Hand-held shower assembly with 30" slide bar and 60" hose
 Pressure balancing mixing valve
 Curtain rod
 Shower curtain
 Dome light
 Colors:
 Standard White
 Upgraded Biscuit
 Other (contact customer service for custom color options)
 Brass drain
 Additional accessories _____

For pricing of units and additional options, reference The Aquatic Price Book.



IMPORTANT: ADA compliant showers with NO interior threshold will have water escape onto the bathroom floor. Aquatic highly recommends you take the following precautions:

1. Install only the minimum number of ADA units without an interior threshold required for each job. If possible install Aquatic's accessible models that have a 1/2 (15) interior threshold to reduce the amount of water that escapes from the shower.
2. When installing units with NO interior threshold, install a FLOOR DRAIN to control the water that escapes onto the bathroom floor.
3. Depending on your application, you may choose to install Aquatic's vinyl flexible dam or removable threshold, which helps better retain water within the shower. However, these items may not necessarily meet ADA or other code requirements. Always confirm code compliance with your local building authority.

Int. Dim. 48 1/2 W x 36 D x 81 5/16 H
 Ext. Dim. 53 W x 37 D x 84 H
 Skirt Ht. 2" skirt, 1/2 (interior threshold)
 Packaged Wt. 180 lbs. gross
 Material Premium cast acrylic
 Warranty Acrylic Finished Products — Five Years

inches

To complete your order, this document must be signed and faxed to the Aquatic Centralized Customer Service Center.
Fax (866) 544-5353 • Phone (800) 945-2726

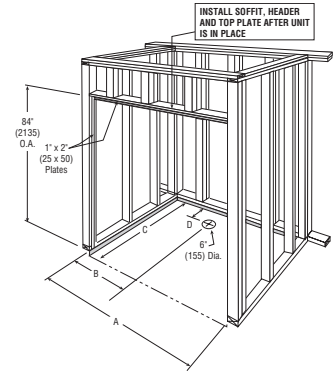


Submittal Sheet

Aquatic products may be specified as Lasco Bathware.

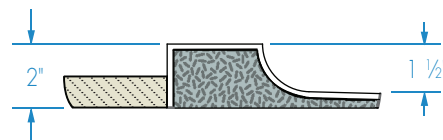
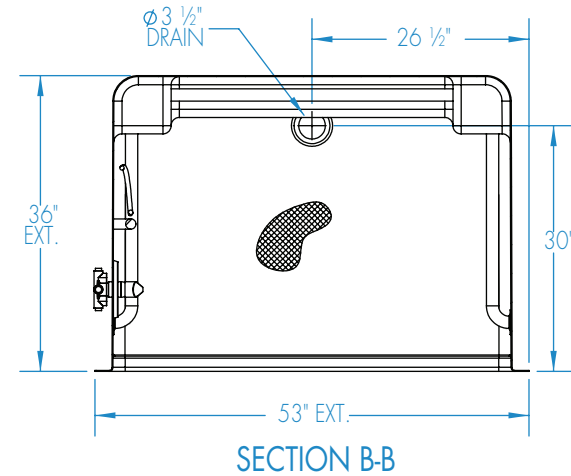
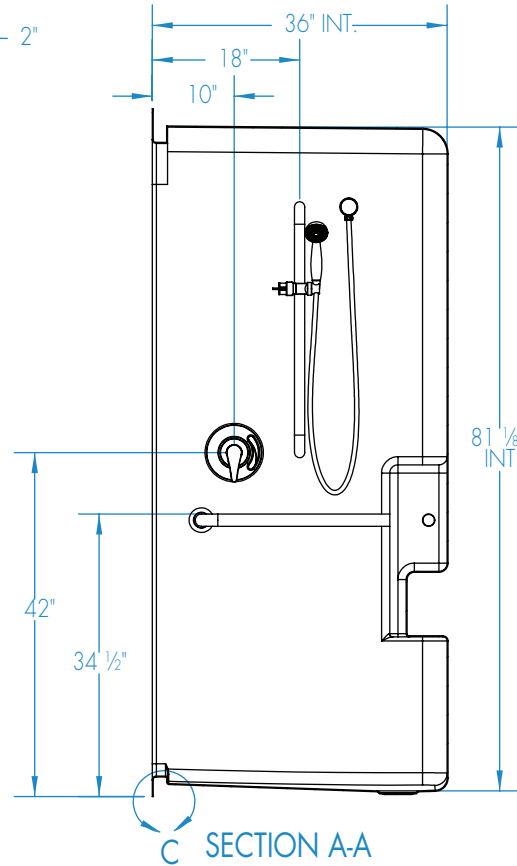
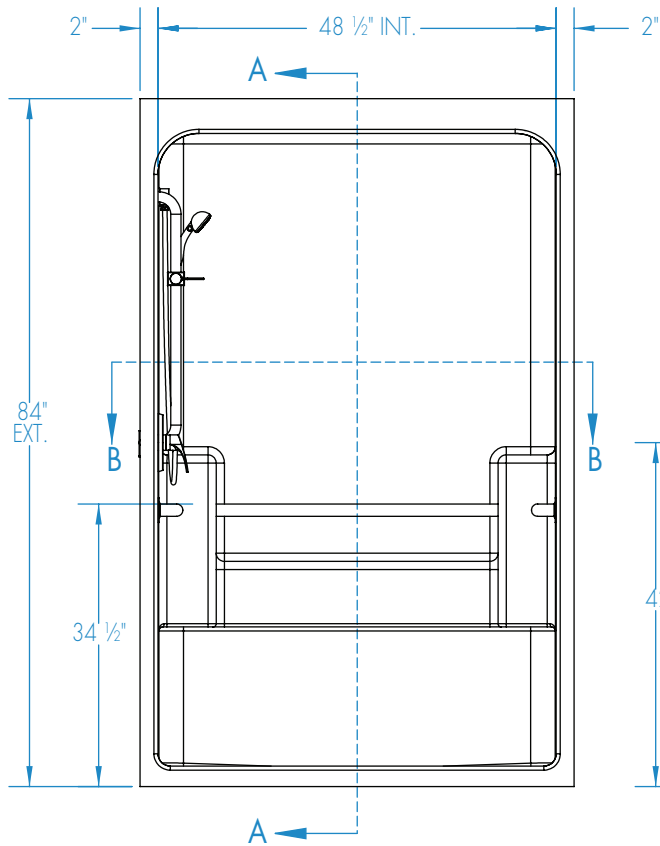
4836BFS

Please indicate changes needed.



FRAMING DIMENSIONS Inches

A	B	C	D
53	26 1/2	37	7



- Installation Options:
1. Install in a recessed pit for rough-in floor installation.
 2. Build sub-floor to level finished floor with top of shower threshold.

Shell tolerance: +0, - 3/64" All other tolerances: ± 1"